



Bainbridge

BE1 WATER SYSTEMS

**PUMPS • WASTE & FRESHWATER SYSTEMS • TOILETS
HEATING • HOSES • INSTALLATION FITTINGS**





Bainbridge

Leading Brands Leading Availability Leading Service

- ◆ Over 8,000+ products for same day despatch
- ◆ Dedicated E-Commerce site
- ◆ 24/7 real time stock levels, online pricing, quick and simple ordering
- ◆ Order before 4.30pm for next day delivery
- ◆ Free shipping
- ◆ Local to Global distribution network and service



Marketing support

Bainbridge International has always recognised that as a trade supplier our success is dependent on the success of our customers. With this in mind, Bainbridge continues to update and evolve the marketing support it offers. This ranges from a comprehensive leaflet and sample system to websites dedicated to both the trade and helping the end user understand that specifying Bainbridge products is an investment in performance and value.

info@bainbridgeint.co.uk
bainbridgemarine.com



Contents

Bilge Pumps

Pages 2 - 21

Waste Pumps & Systems

Pages 22 - 33

Toilets

Pages 34 - 55

Freshwater

Pages 56 - 67

Heating

Pages 68 - 81

Cleaning

Pages 82 - 85

Installation & Hoses

Pages 86 - 115

Part Number Index page 116

Product Index page 119

Guidelines for selection of bilge pumps

Small Power Boats

- ◆ Planing runabouts and ski boats use one submersible pump located AFT
- ◆ Small boats with large cockpits or low free board need bigger pumps
- ◆ Have a limited bilge capacity to hold water away from engine/electrical system



Large Power Boats

- ◆ Large power boats use one or more pumps
- ◆ Each compartment that can hold water needs its own pump
- ◆ Engine driven pump or second, larger electric pump recommended for emergency backup, especially for open water boating



Boat length	Pump output gallons per hour
Below 18' (5.5m)	300-500 (19-32L/min)
18'-23' (5.5-7m)	450-700 (28-44L/min)
22'-26' (6.7-8m)	700-1100 (44-70L/min)
26-30' (8-9.1m)	800-1200 (51-76L/min)
30-35' (9.1-11m)	1000-1600 (63-101L/min)
35-45' (11-14m)	1750-2250 (110-142L/min)



Sail Boats

- ◆ Medium and large sailboats use multiple manual and automatic pumps
- ◆ Each compartment that can hold water needs its own pump
- ◆ Additional large manual backup pump in accessible location
- ◆ Engine driven pump or second, large electric pump recommended for emergency backup, especially for coastal/offshore sailing
- ◆ Head height affects flow - pump output performance reduces when unit has to pump to an outlet over the height of it's location (head) Sailboats have a deeper bilge



Boat Length	Pump output gallons per hour
22-26' (6.7-7.9m)	600-800 (38-51L/min)
26-30' (8-9.1m)	800-1000 (51-63L/min)
30-35' (9.1-11m)	1000-1600 (63-101L/min)
35-45' (11-14m)	1750-2250 (110-142L/min)



Manual Bilge Pumps

Rugged, flush mounted manual bilge pump with integrated handle and appealing design. Install where the pump can be readily accessed while operating the boat; such as in the cockpit, wheelhouse or on deck for loss of electrical power or installation on boats without electrical systems.

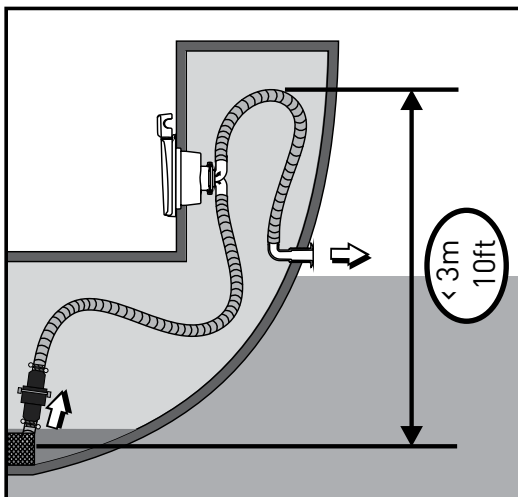
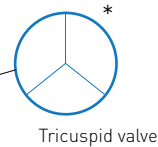
- ◆ Compact, manually operated bilge pump with integrated handle in the pump cover
- ◆ Flush mounted
- ◆ Self-priming
- ◆ 3m (9.8ft) lift/head
- ◆ Polypropylene body, metal fittings of stainless steel, nitrile rubber diaphragm and valves
- ◆ Heavy duty non-choke valves
- ◆ High-flow tricuspid* valve on the outlet port
- ◆ Supplied with 2 types of positionable elbow connectors, 2 x 25mm and 2 x 38mm (1" and 1½")
- ◆ Complies with ISO 15083 - for bilge water in small craft (up to 24m)
- ◆ Compatible bypass connector available (Page 86)



ALB0101001



ALB0101002



Pipe Dia	Flow rate ** @ 3ft head	Dims w x d x h mm	Colour	Unit	No
25mm & 38mm	9.1GPM/11.9GPM	158x207x118/130	White	Each	ALB0101001
25mm & 38mm	9.1GPM/11.9GPM	158x207x118/130	Black	Each	ALB0101002
25mm (1") OE	9.1GPM	158x207x118	White	Pack of 6	ALB0131045
38mm (1½") OE	11.9GPM	158x207x130	White	Pack of 6	ALB0131046

** Assumes 45 strokes/min



Manual Bilge Pump

- ◆ Handle can be oriented in eight different positions



Dims w x h x l mm	Hose Dia mm	Flow rate	No
150x100x275	25	0.5L/pull	AQM90190



Hand Suction Pump

- ◆ Made from heavy duty plastic with no corroding parts
- ◆ Supplied individually packed with full instructions



Length cm	Output hose length	No
55	80cm Plastic Hose	Q007593

Hand Pump

- ◆ Manufactured in strong high impact resistant plastic



Flow rate	Weight g	No
50L/min	745	Q007871



Compact and Maxi Hand Pump

- ◆ Safely removes unwanted water or other liquids from kayaks, canoes and other small boats



Compact length cm	Output hose length cm	Flow rate	No	Maxi length cm	Output hose length cm	Flow rate	No
45	No hose required	8GPM	AT115952	62.5	80	8GPM	AT115962

Cartridge Bilge Pump

Albin Pump Marine's series of submersible cartridge bilge pumps are designed with the latest technology in order to meet the requirements and standards for the marine industry. Cartridge design for fast clip in-clip out installation and cleaning.

- ◆ Easy to install
- ◆ Detachable-port connections
- ◆ Supplied with both straight and 90° elbow barb/hose connections
- ◆ Easy to clean
- ◆ Replaceable cartridge motor
- ◆ Stainless steel shaft
- ◆ Tough thermoplastic housing
- ◆ Seawater resistant shaft seal



ALB0166037 The digital bilge switch mounts to these models and converts the unit to automatic. See Page 15

Flow rate	Voltage	Open flow rate	Flow rate @ 3ft head	Amp draw	Fuse size	Connection	Dims w x h mm	No
500GPH	12V	500GPH	400GPH	1.8A	5A	3/4"	80x110	ALB0102002
750GPH	12V	750GPH	660GPH	2.7A	5A	3/4"	80x110	ALB0102003
750GPH	24V	750GPH	660GPH	1.5A	5A	3/4"	80x110	ALB0102004
1100GPH	12V	1100GPH	1000GPH	4A	5A	1 1/8" fixed	80x110	ALB0102005
1100GPH	24V	1100GPH	1000GPH	2.5A	5A	1 1/8" fixed	80x110	ALB0102006

Digital Bilge Switch

Voltage	Fuse	Amp draw	Dims w x h x d mm	No
12/24V	According to the recommended fuse of the pump used	Less than 20µA in standby	26x64x5	ALB0166037

Super Low Profile Cartridge clip in pumps

Albin Pump Marine's series of submersible cartridge bilge pumps are designed with the latest technology in order to meet the requirements and standards for the marine industry.

- ◆ Easy to install
- ◆ Detachable-port connections
- ◆ Supplied with both straight and 90° elbow hose connections
- ◆ Easy to clean
- ◆ Replaceable cartridge motor
- ◆ Stainless steel shaft
- ◆ Tough thermoplastic housing
- ◆ Seawater resistant shaft seal



Flow rate	Voltage	Open flow rate	Flow rate @ 3ft head	Amp draw	Fuse size	Connection	Dims w x h mm	No
750GPH	12V	750GPH	660GPH	2.7A	5A	3/4"	80x100	ALB0102007
1100GPH	12V	1100GPH	1000GPH	4A	5A	1 1/8" fixed	80x100	ALB0102008

Digital Bilge Switch

Voltage	Fuse	Amp draw	Dims w x h x d mm	No
12/24V	According to the recommended fuse of the pump used	Less than 20µA in standby	26x64x5	ALB0166037

Tsunami Cartridge Pumps

- ◆ Patented shaft seal prevents leaks caused by misalignment
- ◆ Free-flowing water around motor housing keeps motor cooled
- ◆ Cartridge design makes installation and removal from strainer basket simple
- ◆ Double-filter base resists clogging



Model	Flow rate @ 12V	Voltage	Capacity @ 2m head (12V)	Amp draw	Max head m	Fuse size	Barb dia	Wire length m	Pack	No
T500	450GPH	12V	160GPH	1.4	2.4	3A	3/4"	70	Retail clamshell	AT46067
T800	760GPH	12V	400GPH	2.5	3.3	4A	3/4"	70	Retail clamshell	AT46087
T800	760GPH	24V	400GPH	1.1	3.3	2A	3/4"	70	Bulk	AT46091
T1200	1100GPH	12V	480GPH	3.0	2.7	5A	1 1/8"	70	Retail clamshell	AT46127



380 - 1000GPH Cartridge Pumps

SHURFLO bilge pumps are built for the harsh marine environment to withstand the toughest conditions. Supplied with 90cm of tinned wire lead for below the waterline installations.

- ◆ Designed for continuous duty operation
- ◆ Submersible
- ◆ ABS housing with nylon impeller
- ◆ Ignition protected
- ◆ ISO 8849 - requirements for electric bilge pumps in craft up to 24m less than 50V DC



Flow rate	Open flow rate	Voltage	Amp draw	Fuse size	Barb dia	Duplex wire length cm	Dims h x w x Ø mm	Pack	No
380GPH	380GPH	12V	1.7	3A	3/4"	90	114x95x86	Retail clamshell	Q006970
500GPH	500GPH	12V	1.8	3A	3/4"	90	114x95x86	Retail clamshell	Q006971
700GPH	700GPH	12V	3.2	5A	3/4"	90	114x95x86	Retail clamshell	Q006972
1000GPH	1100GPH	12V	3.2	5A	3/4"	90	114x95x86	Retail clamshell	Q006973



Automatic Bilge Pump

Fully automatic with a built-in electrical level switch. Compact and easy to install. Stainless steel shaft, tough thermoplastic ABS housing and removable base plate with integrated strainer. Easy maintenance and low power consumption.

- ◆ Compact, all-in-one unit
- ◆ Integrated electrical level switch
- ◆ Automatic operation in harsh saltwater and for freshwater use
- ◆ Mercury-free
- ◆ Easy hose assembly without risk of stress from overtightened hose clamps
- ◆ Universal base with removable clip with integrated screen and detachable check valve
- ◆ Easy maintenance, no tools required 3-wire device for auto, manual or override mode
- ◆ Water-cooled motor for long service life
- ◆ Stainless steel shaft



Detachable straight & elbow



Fixed straight



Flow rate	Flow rate @ 3ft head	Voltage	Fuse size	Ports	Barb dia	Dims l x w x h mm	Replaces	Pack	No
500GPH	400GPH	12V	3A	Detachable straight & elbow	3/4"	151x78x95	Rule 500 12V Johnson 32-47258-003 Attwood Sahara S500 12V	Each	ALB0104015
500GPH	400GPH	12V	3A	Detachable straight & elbow	3/4"	151x78x95	Rule 500 12V Johnson 32-47258-003 Attwood Sahara S500 12V	Pack of 12	ALB0134069
750GPH	660GPH	12V	5A	Detachable straight & elbow	3/4"	151x78x95	Rule 750 12V Johnson 32-47259-003 Attwood Sahara S750 12V	Each	ALB0104016
750GPH	660GPH	24V	5A	Detachable straight & elbow	3/4"	151x78x95	Rule 750 12V Johnson 32-47259-003 Attwood Sahara S750 12V	Pack of 12	ALB0134070
750GPH	660GPH	12V	3A	Detachable straight & elbow	3/4"	151x78x95	Rule 750 12V Johnson 32-47259-003 Attwood Sahara S750 12V	Each	ALB0104017
750GPH	660GPH	24V	3A	Detachable straight & elbow	3/4"	151x78x95	Rule 750 12V Johnson 32-47259-003 Attwood Sahara S750 12V	Pack of 12	ALB0134071
1100GPH	1000GPH	12V	6A	Fixed straight	1 1/8"	151x78x95	Rule 1100 12V Johnson 32-47260-003 Attwood Sahara S1100 12V	Each	ALB0104018
1100GPH	1000GPH	24V	6A	Fixed straight	1 1/8"	151x78x95	Rule 1100 12V Johnson 32-47260-003 Attwood Sahara S1100 12V	Pack of 12	ALB0134072
1100GPH	1000GPH	12V	3A	Fixed straight	1 1/8"	151x78x95	Rule 1100 12V Johnson 32-47260-003 Attwood Sahara S1100 12V	Each	ALB0104019
1100GPH	1000GPH	24V	3A	Fixed straight	1 1/8"	151x78x95	Rule 1100 12V Johnson 32-47260-003 Attwood Sahara S1100 12V	Pack of 12	ALB0134073

Sahara Automatic Bilge Pumps

Offering greater convenience for any size of boat, the Sahara has everything contained in one compact yet durable package - pump, wire, seals, strainer and mercury-free trigger switch. It can be installed quickly and easily in tight spaces.

- ◆ Free flow of water around housing keeps motor cool
- ◆ 316 stainless steel motor shaft for saltwater corrosion resistance
- ◆ Test knob for easy operational check
- ◆ Sahara can only be mounted horizontally - any other orientation will not permit correct switching



Flow rate	Max head m	Open flow rate	Flow rate @ 2.0m head	Voltage	Amp draw	Fuse size	Barb dia	Duplex wire length cm	Pack	No
500GPH	2.4	450GPH	190GPH	12V	1.2	3A	3/4"	70	Retail clamshell	AT45057
500GPH	2.4	450GPH	190GPH	12V	1.2	3A	3/4"	70	Bulk	AT45051
750GPH	3.6	660GPH	345GPH	12V	2.5	5A	3/4"	70	Retail clamshell	AT45077
750GPH	3.6	660GPH	345GPH	12V	2.5	5A	3/4"	70	Bulk	AT45071
1100GPH	2.7	1070GPH	615GPH	12V	3.2	6A	1 1/8"	70	Retail clamshell	AT45117
1100GPH	2.7	1070GPH	615GPH	12V	3.2	6A	1 1/8"	70	Bulk	AT45111



Heavy Duty Electric Bilge Pumps

Easily installed and robustly engineered for maximum lifetime. Submersible for harsh saltwater and freshwater use; featuring heavy duty motor with stainless steel shaft; mechanical shaft seal; durable high impact thermoplastic housing and universal base screen. Designed to be interchangeable with same type bilge pumps on the market.

- ◆ Liquid cooled for extended motor life
Heavy duty, AISI 316 steel shaft, double ball bearing motor
- ◆ Quality engineered mechanical seal
Manual operation; automatic operation with optional float switch (**ALB0166025**) or digital bilge switch (**ALB0166037**)
Removable check valve included
- ◆ Complies with ISO 8849 - requirements for electric bilge pumps in craft up to 24m less than 50V DC
- ◆ EN 55014-1 Electromagnetic compatibility
- ◆ Universal base plate with strainer and pin (for "T-slot") to attach a level switch for automatic operation
- ◆ Designed to be interchangeable with similar type bilge pumps
- ◆ 1750GPH recommended for boat lengths >10m (33ft) 225GPH recommended for boat lengths >12m (39ft)



ALB0166037 The digital bilge switch mounts to these models and converts the unit to automatic. See Page 15

Flow rate	Flow rate @ 3ft head	Voltage	Fuse size	Ports	Dims h x w x Ø mm	Replaces	Unit	No
1750GPH	1350GPH	12V	6A	28mm (1 1/8") & 32mm (1 1/4")	170x158x130	Rule 1500 Johnson 16004-00/32-1600-01	Each	ALB0103011
1750GPH	1350GPH	12V	6A	28mm (1 1/8") & 32mm (1 1/4")	170x158x130	Rule 1500 Johnson 16004-00/32-1600-01	Pack of 9	ALB0133065
1750GPH	1350GPH	24V	3A	28mm (1 1/8") & 32mm (1 1/4")	170x158x130	Rule 1500 Johnson 16084-00/32-1600-02	Each	ALB0103012
1750GPH	1350GPH	24V	3A	28mm (1 1/8") & 32mm (1 1/4")	170x158x130	Rule 1500 Johnson 16084-00/32-1600-02	Pack of 9	ALB0133066
2250GPH	1900GPH	12V	8A	28mm (1 1/8") & 32mm (1 1/4")	170x158x130	Rule 2000 Johnson 22004/32-2200-01	Each	ALB0103013
2250GPH	1900GPH	24V	4.5A	28mm (1 1/8") & 32mm (1 1/4")	170x158x130	Rule 2000 Johnson 22084/32-2200-02	Each	ALB0103014
2250GPH	1900GPH	12V	8A	28mm (1 1/8") & 32mm (1 1/4")	170x158x130	Rule 2000 Johnson 22004/32-2200-01	Pack of 9	ALB0133067
2250GPH	1900GPH	24V	4.5A	28mm (1 1/8") & 32mm (1 1/4")	170x158x130	Rule 2000 Johnson 22084/32-2200-02	Pack of 9	ALB0133068

Digital Bilge Switch

Voltage	Fuse	Amp draw	Dims w x h x d mm	No
12/24V	According to the recommended fuse of the pump used	Less than 20µA in standby	26x64x5	ALB0166037

Attwood Heavy Duty Bilge Pumps

- ◆ Advanced resin compositions incorporated into exterior to resist chemicals such as engine oil, aggressive detergents and hose plasticisers
High efficiency permanent magnet motor utilises composite brushes and lubricated bearings to ensure long life under the most aggressive load conditions
- ◆ Rotating outlet provides improved hose installation
- ◆ Locking tab and base swivel feature allow for 8 unique mounting positions
- ◆ Moulded two-wire seal eliminates a potential leak path



Flow rate	Max head m	Open flow rate	Flow rate @ 2.0m head	Voltage	Amp draw	Fuse size	Barb dia	Duplex wire length cm	Pack	No
1700GPH	3.3	1500GPH	800GPH	12V	5.1A	10A	1/8"	90	Retail boxed	AT47304
2000GPH	4.8	1800GPH	1200GPH	12V	6A	12A	1/8"	90	Retail boxed	AT47604



Cartridge Aerator Pumps

Albin Pump Marine's series of aerator pumps that are designed with the latest technology in order to meet the requirements and standards for the marine industry.

- ◆ Easy to install
- ◆ Detachable-port connections
- ◆ Straight and 90° elbow hose connections
- ◆ Easy to clean
- ◆ Replaceable cartridge motor
- ◆ Stainless steel shaft
- ◆ Tough thermoplastic housing
- ◆ Seawater resistant shaft seal



Flow rate	Type	Voltage	Amp draw	Capacity straight	Flow rate @ 3 ft	Fuse size	Connection	Dims w x h mm	No
500GPH	Straight	12V	1.8A	500GPH	400GPH	5A	3/4"	80x110	ALB0105077
750GPH	Straight	12V	2.7A	750GPH	660GPH	5A	3/4"	80x110	ALB0105079
1100GPH	Straight	12V	4A	1100GPH	1000GPH	5A	1 1/8" fixed	80x110	ALB0105081
500GPH	Angled	12V	1.8A	500GPH	400GPH	5A	3/4"	80x110	ALB0105078
750GPH	Angled	12V	2.7A	750GPH	660GPH	5A	3/4"	80x110	ALB0105080
1100GPH	Angled	12V	4A	1100GPH	1000GPH	5A	1 1/8" fixed	80x110	ALB0105082
500GPH	Twinport	12V	1.8A	500GPH	400GPH	5A	3/4"	80x110	ALB0105074
750GPH	Twinport	12V	2.7A	750GPH	660GPH	5A	3/4"	80x110	ALB0105075
1100GPH	Twinport	12V	4A	1100GPH	1000GPH	5A	1 1/8" fixed	80x110	ALB0105076

Hand operated battery powered pump

- ◆ A battery powered pump for transferring fluid and emptying tanks
- ◆ The long reach pickup is great for hard to reach bilge and tank areas
- ◆ Requires 2 x "D" size batteries for operation
- ◆ Not recommended for petrol, diesel or other flammable liquids



Flow rate	Length mm	Barb mm	Hose length mm	No
6L/min	580	32	600	TRD90396



Waterbuster® portable pump

- ◆ Convenient and safe (no electrical cord) - it will run up to five hours on 3 x alkaline 'D' cell batteries
- ◆ Pump-out device for paddle boats, inflatables, duck boats, dinghies or kayaks
- ◆ Includes 1067mm hose with garden hose adaptor for adding a longer hose
- ◆ Lifts water to height of 1m
- ◆ This is not designed to be used as or to replace a permanent bilge pump



Flow rate	Flow rate @ 4.5V	Flow rate @ 0.6m head	Dims h x w mm	Hose length mm	No
6L/min	200GPH	125GPH	162x133	1067	AT41404

Bilge Pump Float Switch

Automate your electric bilge pump simply and effectively with an Albin pump (Automatic float switch). Safely remove bilge water, even when no one is onboard. Mechanical arm floats up with rising water level in the bilge and completes the circuit, activating your bilge pump. As the water level lowers the arm lowers and deactivates the pump.

- ◆ Rated for 500,000 cycle
- ◆ Mercury-free operation
- ◆ Durable thermoplastic ABS housing
- ◆ For saltwater and freshwater use only



Voltage	Service life cycles	Amp draw	Dims mm	No
12V/24V/32V	500,000	14A	110x70x50	ALB0166025

Bilge Pump Float Switch

- ◆ Converts bilge pumps to fully automatic operation
- ◆ Compact, low profile design that mounts to any surface from horizontal up to a 24° angle
- ◆ Incorporates a reliable mechanical switch that actuates the pump motor at a 50mm water level



Voltage	Amp rating	Wire length cm	Dims l x w x open h mm	No
12V/24V	12A at 12V 6A at 24V	90	108x98x67	AT42027

Bilge Pump Float Switch

- ◆ Remote or direct mounting Hard wired into the switch
- ◆ Ignition protected



Voltage	Amp draw	Wire length cm	Dims mm	No
12V/24V	12A	90	112x92x32	Q006949

Digital Bilge Switch

Fully automate your electric bilge pump with an Albin Pump (Digital Bilge Switch) that employs no moving parts. Safely remove bilge water, even when no one is onboard. Disruption of the produced electric field by the bilge water activates your bilge pump automatically and shuts down the pump when the water level recedes to an acceptable level.

- ◆ No moving parts, fully sealed
- ◆ Field sensing technology
- ◆ Non-corroding polymer housing
- ◆ Unaffected by oil or floating debris in the bilge
- ◆ Delayed activation/deactivation to avoid false starts/stops due to sloshing in the bilge
- ◆ 30 second pump shut-down cycle to ensure water evacuation

Voltage	Fuse	Amp draw	Dims w x h x d mm	No
12/24V	Match to pump fitted	Less than 20µA in standby	26x64x5	ALB0166037

Note: Digital bilge switch can be mounted to cartridge bilge pumps (Page 5), super low profile cartridge pumps (Page 6) and heavy duty pumps (Page 11) to convert the unit to automatic



S3 Series Automatic Bilge Switch

- ◆ Incorporates a proprietary electronic sensing technology to detect bilge water levels and trigger pump activation
- ◆ Cuts out continual cycling as switch is not triggered by a splashing bilge
- ◆ Can be mounted on the floor of the bilge, directly to a stringer wall, or alongside the basket of the pump
- ◆ Free of moving parts that can jam up, break or wear out over time

Voltage	Wire length cm	Dims l x w x h mm	No
12V/24V	90	133x98x73	AT42017



Electronic switch

- ◆ Protection against excessive battery rundown Resin-coated watertight casing
- ◆ Switch-on (5sec)/switch-off (20sec) delay to avoid false cycling caused by boat roll



Max pump current	Operating voltage	Switch amp draw	No
10A	9-31V	7.5mA	QKEBSN10
15A	9-31V	7.5mA	QKEBSN15
20A	9-31V	7.5mA	QKEBSN20

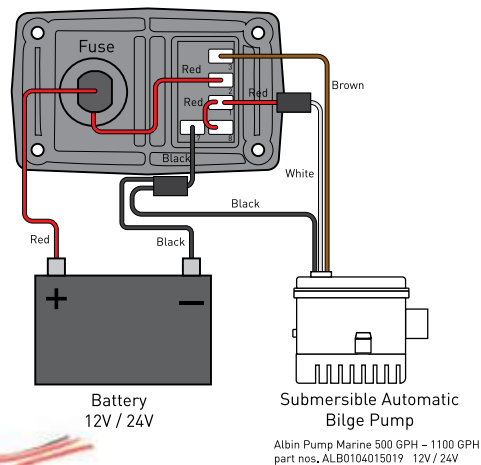


Bilge Pump Panel 3-way

- ◆ Switch positions manual ON, OFF and Automatic
- ◆ Integrated operating light and fuse holder
- ◆ 70x45mm hole in the mounting surface to accommodate the electronics



3-way Bilge Pump Panel (ON – OFF – AUTO)
Albin Pump Marine part no. ALB0166027 – 12V/24V



Voltage	Fuse	Dims w x h mm	Cutout dims w x l mm	No
12V	Match to pump fitted	100x61	45x70	ALB0166027
24V	Match to pump fitted	100x61	45x70	ALB0166028



AT76153



AT7615A3

- ◆ Panel-mounted 2 way ON/OFF rocker switch for pumps rated up to 10A draw

- ◆ Panel-mounted 3 way AUTO/OFF/MANUAL rocker switch for pumps rated up to 10A draw

Description	Plate size mm	Hole size mm	No
Bilge 2 way switch	72x48	38x22	AT76153

Description	Plate size mm	Hole size mm	No
Bilge 3 way switch	72x48	38x22	AT7615A3

Digital Bilge High Water Alarm Kit

Fluid level sensor for marine applications. Electronic field sensing technology with digital accuracy automatically detects the bilge water level and at high levels sounds an audible and visual alarm on the panel.

- ◆ Easy installation
- ◆ No calibration required
- ◆ No moving parts and completely sealed for long-term durability
- ◆ Delayed activation/deactivation to avoid false starts/stops due to sloshing in the bilge
- ◆ Will not corrode in contact with saltwater, fuel/oil
Not affected by foreign debris
- ◆ Robust against temperature and vibrations



Voltage	Fuse	Included in the kit	Dims w x h x d mm	No
12V	1A	Display panel (1 LED + piezo alarm) with 6" (152mm) wire leads Alarm sensor (screw-mounted) with 12" (305mm) wire leads Fuse and fuse holder	Sensor: 26x51 Panel: 76x56x35	ALB0169041
24V	1A	Display panel (1 LED + piezo alarm) with 6" (152mm) wire leads Alarm sensor (screw-mounted) with 12" (305mm) wire leads Fuse and fuse holder	Sensor: 26x51 Panel: 76x56x35	ALB0169042

Bilge Boat Monitor System

A complete monitoring system that provides you with real time data to your smartphone or your computer; such as bilge water level alarm, battery status, positioning/tracking alarms if your boat is being moved. Can be used for fleet monitoring. Easy to install, suitable for any vessel with 12/24V power onboard.

- ◆ SIM card that works with all international GSM communication standards with outstanding connectivity; optional use of your own SIM card (yearly subscription fee, or one-time administration fee for own SIM card)
- ◆ Latest technology and designed for marine use, robust and very compact
- ◆ Delayed activation/deactivation to avoid false alarms due to sloshing in the bilge
- ◆ Built-in battery allows the device to continue sending information over a period of time if the power is cut
- ◆ Fused appropriately based on bilge pump system
- ◆ IPX6 water protected and withstands rough movements at sea
- ◆ Approved by international insurance companies CE and FCC certified



Voltage	Included in the kit	Dims w x h x d mm	No
12/24V	Monitor device / Digital water level sensor / Electrical connectors / SIM card	Device: 46x70x17.5 Sensor: 26x64x5	ALB0107007

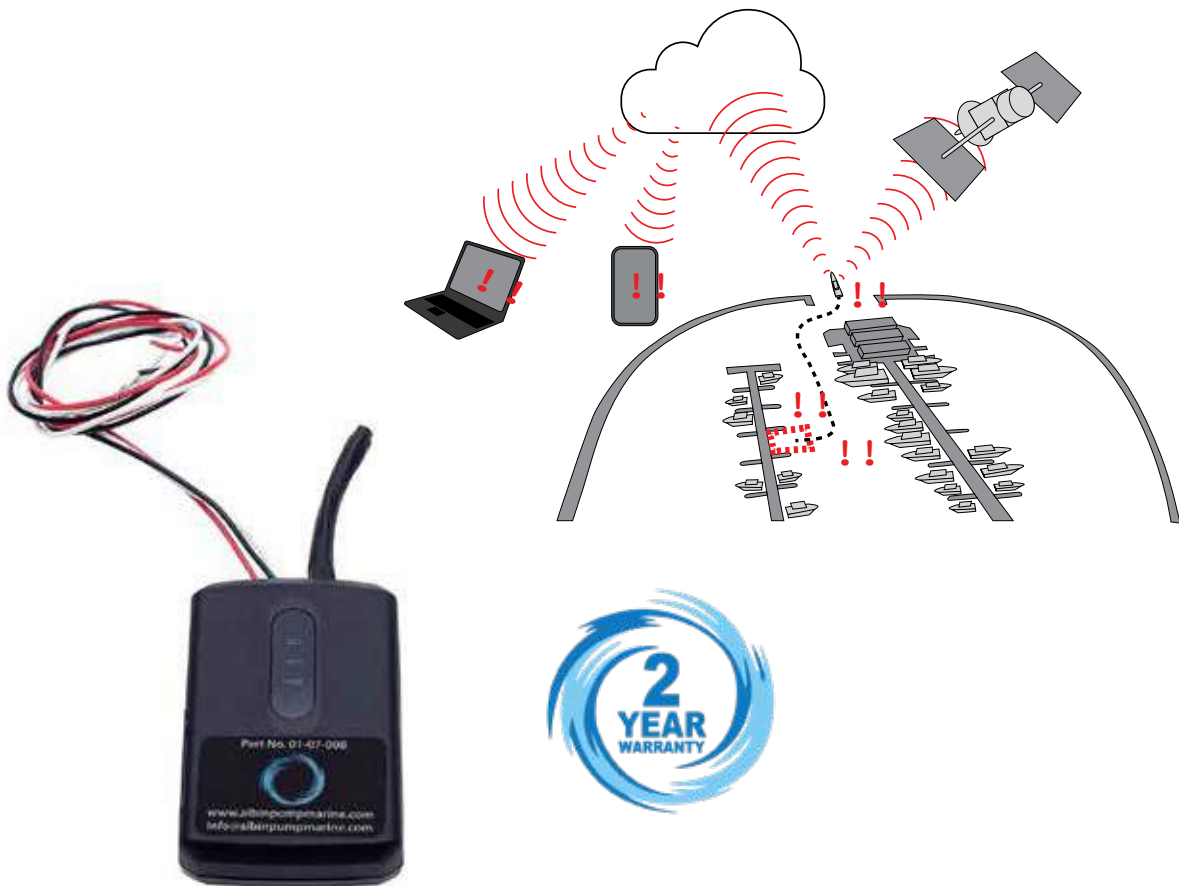
Get the Albin Bilge Boat Monitor System App at



Boat Monitor System

A boat monitoring system that provides you with real time data to your smartphone or your computer; such as battery status, positioning/tracking alarms if your boat is being moved. Can be used for fleet monitoring. Easy to install, suitable for any vessel with 12/24V power onboard.

- ◆ SIM card that works with all international GSM communication standards with outstanding connectivity; optional use of your own SIM card (yearly subscription fee, or one-time administration fee for own SIM card)
- ◆ Latest technology and designed for marine use, robust and very compact
- ◆ Built-in battery allows the device to continue sending information over a period of time if the power is cut
- ◆ IPX6 water protected and withstands rough movements at sea
- ◆ Approved by international insurance companies
- ◆ CE and FCC certified



Voltage	Included in the kit	Dims w x h x d mm	No
12V/24V	Monitor device / Electrical connectors / SIM card	Device: 46x70x17.5	ALB0107008

Get the Albin Boat Monitor System App at





Connect It Boat

Connect It Boat product combines digital telematics and IoT without the need for a SIM card and presents this information in a neat, user friendly App which can be downloaded to any iOS or Android device. This delivers real time information to the boat owner with total convenience.

- ◆ Location and trip routing - this data includes all journey information on a map - seeing the exact route taken by the vessel
- ◆ Key component monitoring of battery condition and performance enabling owner to check everything is in order
- ◆ Alarms coupled with bilge pump alarm, Connect It Boat can be set to send an alarm when the batteries are at a critical level and importantly - start up and running of the boat - providing valuable tracking notifications for unauthorised moves of the vessel
- ◆ A DIY fit with a simple power and trace wires running to bilge pump and ignition switch
- ◆ App updates twice a yearly with new features and functionality





LOCATION



View your boat location in real time.



TRIPS



Record all the trips you take on your boat.



BATTERY





BILGE PUMP



Get data on bilge pump operation and push notifications on your smartphone whenever it starts.



ALARMS



Set alarms to get push notifications for low battery level, bilge pump operation, ignition start or movement of your boat



SETTINGS Manage your account and prolong your subscription.

Voltage	Dims l x w x h	mm	No
12V/24V	72.5x73.27.3		CIBBOX

Get the Connect It Boat App at



Waste Water Diaphragm Pump

Single chamber, self priming, diaphragm pumps for grey or bilge water.

- ◆ Shower drain, transfer or pump out Flexible installation with 360° rotational ports
- ◆ Quiet operation
- ◆ Low power consumption
- ◆ Operates with no need for filter
- ◆ Can run dry without damage to the pump
- ◆ 22L model supplied with 19mm & 25mm straight connectors
- ◆ 32L model supplied with 38mm straight & 90° rotational connectors



Flow rate	Voltage	Fuse size	Type	Connection	Dims l x w x h mm	Replaces	No
22L (5.8GPM)	12V	4.5A	Bilge/grey water; shower drain, transfer or pump out; self-priming up to 2.5m (8ft)	19mm (¾") & 25mm (1") straight connectors	305x195x125	Johnson 10-13350-03 Jabsco 50880-1000 Whale Gulper 220-12V	ALB0301001
22L (5.8GPM)	24V	2.5A	Compact design bilge/grey water; shower drain, transfer or pump out; self-priming up to 2.5m (8ft)	19mm (¾") & 25mm (1") straight connectors	305x195x125	Johnson 10-13350-04 Jabsco 50880-1100 Whale Gulper 220-24V	ALB0301002
32L (8.5GPM)	12V	6A	Waste water, black water transfer or pump out; self-priming up to 2.5m (8ft)	38mm (1½") straight & 90° rotational connectors	305x195x125	Johnson 10-13373-03 Jabsco 50890-1000 Whale Gulper 320-12V	ALB0301003
32L (8.5GPM)	24V	3A	Waste water, black water transfer or pump out; self-priming up to 2.5m (8ft)	38mm (1½") straight & 90° rotational connectors	355x195x125	Johnson 10-13373-04 Jabsco 50890-1100 Whale Gulper 320-24V	ALB0301004

Waste Water Compact Pump

Single chamber, self priming, diaphragm pumps for grey or bilge water.

- ◆ Shower drain, transfer or pump out
- ◆ Flexible installation with 360° rotational ports
- ◆ Quiet operation
- ◆ Low power consumption
- ◆ Operates with no need for filter
- ◆ Can run dry without damage to the pump
Supplied with 19mm & 25mm straight connectors

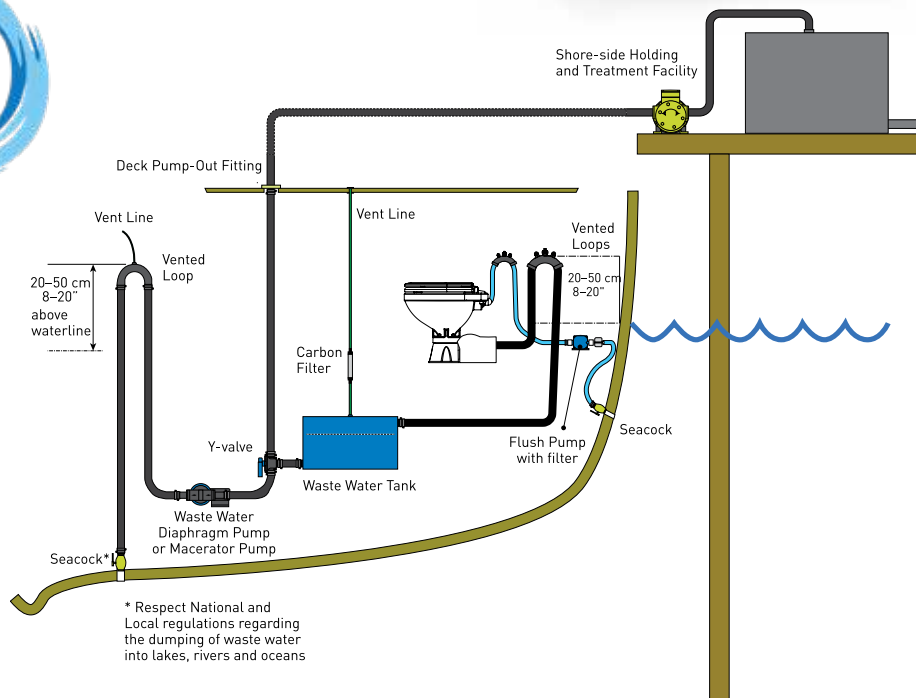


Flow rate	Voltage	Fuse size	Type	Connection	Dim l x w x h mm	Replaces	No
22L (5.8GPM)	12V	4.5A	Compact design bilge/ grey water; shower drain, transfer or pump out; self-priming up to 2.5m (8ft)	19mm (¾") & 25mm (1") straight connectors	190x245x125	Ocean Technologies 8700101512	ALB0301015
22L (5.8GPM)	24V	2.5A	Compact design bilge/ grey water; shower drain, transfer or pump out; self-priming up to 2.5m (8ft)	19mm (¾") & 25mm (1") straight connectors	190x245x125	Ocean Technologies 8700101524	ALB0301016

Waste Water Macerator

The Albin Pump Marine macerator pump is equipped with a rotary cutter for shredding toilet waste – directly from the marine toilet or septic holding tank – and a high capacity, self-priming impeller pump for discharging toilet waste water.

- ◆ Shred toilet waste before pumping into septic holding tank or when emptying the septic tank at a dockside facility
- ◆ Shredded toilet waste is easily pumped through a 25mm (1") discharge hose
- ◆ Self-priming ability allows the pump to be located above the holding tank. For best efficiency, locate the pump as close to the holding tank as possible
- ◆ For intermittent use only; do not run for more than 15 minutes at a time. Approximately 1 to 2.5 minutes operation will empty holding tanks from 30L (8 gal) to 100L (26 gal)
- ◆ Must not be permitted to run dry for more than 30 seconds
- ◆ Replacement impeller Albin Pump Marine part number **ALB0601009**



Flow rate	Voltage	Fuse size	Type	Connection	Dims l x w x h mm	Replaces	No
43L (11.5GPM)	12V	12A	Bilge/grey water; shower drain, transfer or pump out; self-priming up to 2.5m (8ft)	Inlet port: 1/2" hose (38mm) or 1/2" BSP Outlet port: 1" hose (25mm)	240x130x90	Johnson 10-24453-04 Jabsco 18590-2092 Shurflo 3200-001	ALB0301005
43L (11.5GPM)	24V	7A	Bilge/grey water; shower drain, transfer or pump out; self-priming up to 2.5m (8ft)	Inlet port: 1/2" hose (38mm) or 1/2" BSP Outlet port: 1" hose (25mm)	240x130x90	Johnson 10-24453-05 Jabsco 18590-2094 Shurflo 3200-011	ALB0301006

Waste Water Tank CPL

Albin Pump Marine offers two sizes of black water tank kits; complete with either a waste water diaphragm pump or a macerator pump, ready for easy installation.

- ◆ 47L (12.5 gal) or 72L (19 gal) rectangular tanks of linear, low density polyethylene, which is the best suited material for holding tanks because of resistance to corrosion and odour permeation

Diaphragm Pump & Tank Kits



ALB0302007



ALB0302008



Pump type	Tank capacity	Voltage	Included in kit	Dims l x h x w mm	Weight kg	No
32L Diaphragm	47L/12.5 gal	12V	Gas vent, active carbon filter, control panel and probe for level control	480x330x400	19	ALB0302007
32L Diaphragm	72L/19 gal	12V	Gas vent, active carbon filter, control panel and probe for level control	700x300x400	20	ALB0302008

Macerator Pump & Tank Kits



ALB0302009



ALB0302028



Pump type	Tank capacity	Voltage	Included in kit	Dims l x h x w mm	Weight kg	No
43L Macerator	47L/12.5 gal	12V	Gas vent, active carbon filter, control panel and probe for level control	480x330x400	24	ALB0302009
43L Macerator	47L/12.5 gal	24V	Gas vent, active carbon filter, control panel and probe for level control	480x330x400	24	ALB0302027
43L Macerator	72L/19 gal	12V	Gas vent, active carbon filter, control panel and probe for level control	700x300x400	20	ALB0302010
43L Macerator	72L/19 gal	24V	Gas vent, active carbon filter, control panel and probe for level control	700x300x400	25	ALB0302028

Y-valve

Heavy duty Y-valve for installation in waste discharge and bilge pump-out systems.

- ◆ Corrosion resistant nylon and stainless steel
- ◆ The selector lever can be padlocked (lock is not included) and/or sealed in either positions
- ◆ Ports can be rotated so that discharge plumbing can be routed away in parallel, at 90° or in opposite directions, or either up or down without disassembling it
- ◆ A shaft extension allows valve to be mounted through a bulkhead up to 44mm (1¾") thick with only the selector handle being exposed
- ◆ Easy access to valve by removing three machine screws
- ◆ The specially studied self cleaning design provides trouble-free operation
- ◆ Moulded-in flow direction indicator

Applications

- ◆ Bilge systems: A Y-valve allows the emptying of multiple bilge areas with single pump
- ◆ Sewage systems: When the Y-valve is fitted to the toilet discharge line it allows for selection of pumping to holding tank or overboard (if permitted). When the Y-valve is fitted to the holding tank discharge line it allows for selection of pumping through a deck discharge fitting or overboard (if permitted). It is not legal to discharge sewage effluents within the 3 mile coastal limit. Check local rules to determine where direct overboard discharge of untreated waste is permitted.

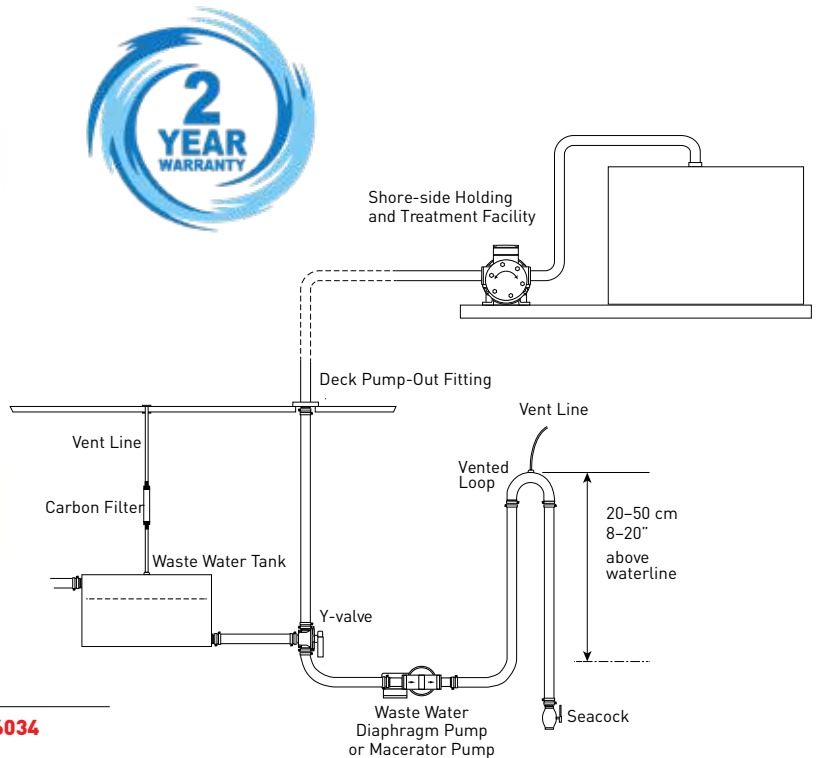


Included in kit

38mm (1½") ports (fitted) and extra 25mm (1") straight inlet port

No

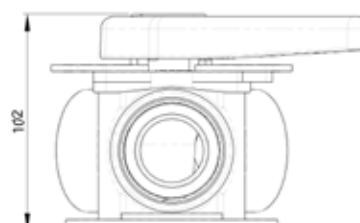
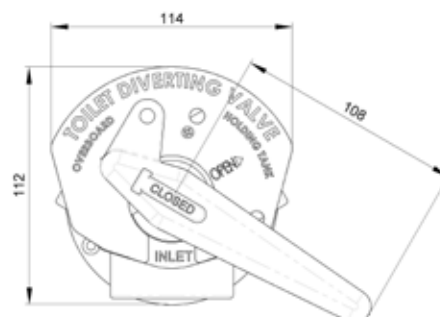
ALB0766034



Manual Aquavalue

Used in marine toilet applications where protection for the environment necessitates the need to control effluent discharge – in many countries this is governed by regulation. The effluent can be held in a holding tank for later discharge overboard or to a shore side facility.

- ◆ Manufactured from a glass reinforced nylon composite - high strength and lightweight
- ◆ Stainless steel fasteners
- ◆ Easy installation - with a range of straight, 90° and 120° tails, and two seal options, plumbing in confined spaces is made easy
- ◆ Handle position lockable - legislation in some regions require the overboard discharge handle to be locked into the holding tank position when in 'no discharge' zones
- ◆ Available in black or white
- ◆ Pressure tested - to ensure quality and safety in respect to sealing and operation
- ◆ Silicon seal - the Aquavalue® is the only valve on the market today with smooth movement and an excellent seal with good wear resistance
- ◆ Composite spanner included - avoids using pipe wrenches that gouge the fitting
- ◆ Fascia plate on standard model can be removed to reveal simple "open-open-inlet" labelling - where product is not used for marine toilets
- ◆ Large operating temperature range from -40°C to +110°C
- ◆ Bulkhead hole diameter for Aquavalue through bulkhead is 49.0mm

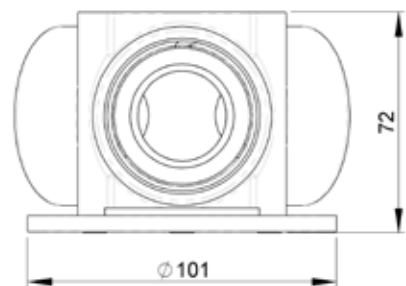
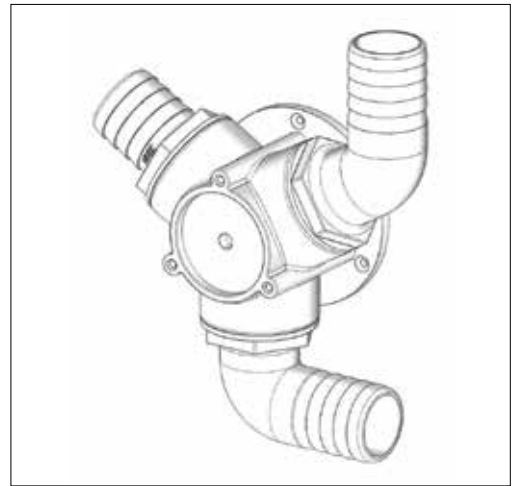
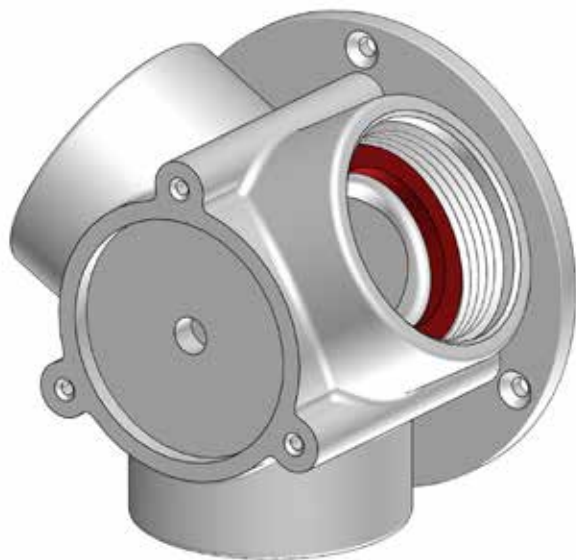


Included in kit	Colour	No
Composite Y-valve	Black	TRD90312R
Thru bulkhead composite	White	TRD90313R
Y-valve composite	White	TRD90314R
Silicone seal kit		TRD90316
Spanner		TRD90317
Seal	Blue	TRD90327
Seal	Red	TRD90475
Aquavalue thru bulkhead extension pack		TRD90453

3 Way Connector

A versatile method of combining different diameter piping in a complex marine plumbing arrangement.

- ◆ Ideal connector when different sized hoses need to be connected
- ◆ 3 different size Aquavalve tails can be screwed in to suit hose size and installation
- ◆ Stainless steel fasteners
- ◆ Easy installation with a range of straight, 90° and 120° tails, and two seal options
- ◆ Secure mounting - base can be screwed to bulkhead or hull
- ◆ Available in black or white
- ◆ Composite spanner included to avoid using pipe wrenches that gouge the fitting
- ◆ Large operating temperature range from -40°C to +110°C
- ◆ Includes spanner

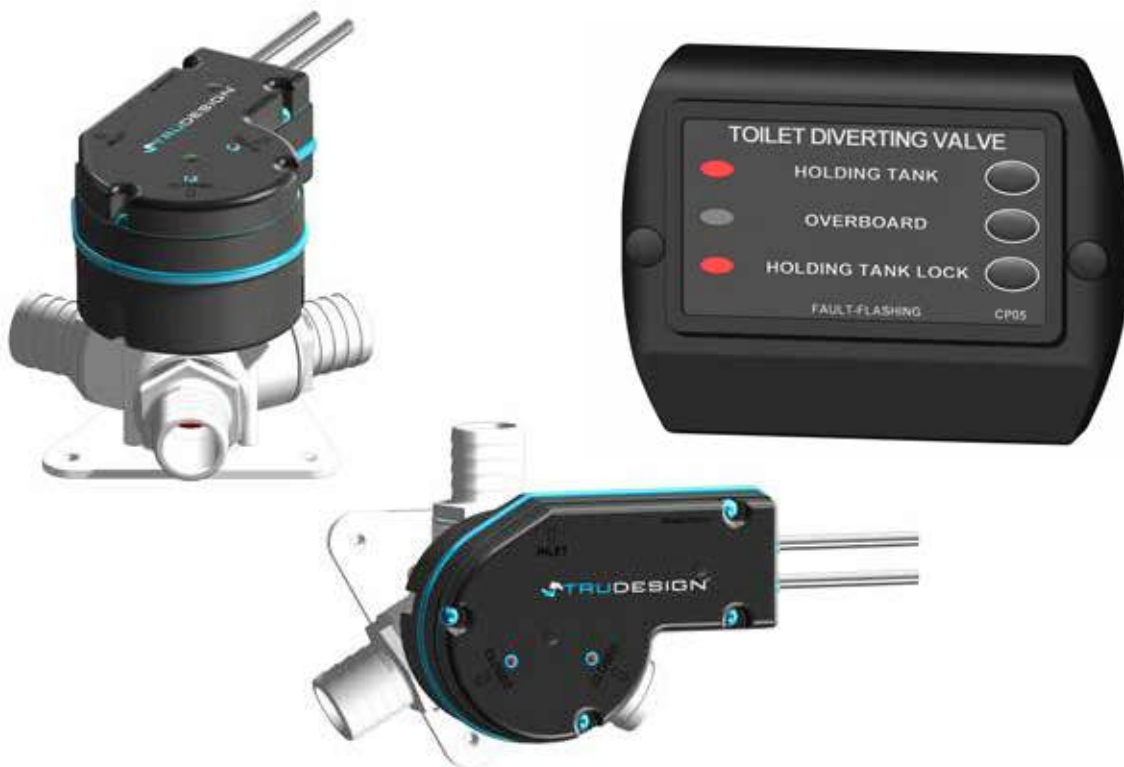


Type	Colour	No
3 way connector	White	TRD90300

Electronic Aquavalue

For use in applications where remote “Push Button” diversion and control of the flow of water or effluent is desired. Typically used in marine toilet applications where protection for the environment necessitates the need to control effluent discharge – in many countries this is governed by regulation. The Electronic Aquavalue is compliant with standards regarding electronic emissions. Supplied with control panel, spanner and comprehensive installation and operation instructions.

- ◆ Manufactured from a glass reinforced nylon composite - high strength and lightweight
- ◆ Stainless steel fasteners To suit existing installations
- ◆ Supplied complete with control panel with indicating lights
- ◆ LED's on the control panel clearly denote whether the valve is in the “holding tank” or “overboard” position
- ◆ Error diagnostics - the control panel will indicate if the valve is jammed by flashing the two LED's
- ◆ Easy installation - with a range of straight, 90° and 120° tails, and two seal options, plumbing in confined spaces is made easy
- ◆ Manual override of valve - all valves supplied with a spanner for use in the unlikely event the valve motor experiences a loss of power and manual operation is needed
- ◆ Pressure tested - to ensure quality and safety in respect to sealing and operation
- ◆ Silicon seal - the Aquavalue is the only valve on the market today with smooth movement and an excellent seal with good wear resistance
- ◆ Serviceable while on the water
- ◆ Auto rotate feature
- ◆ Composite spanner included - avoids using pipe wrenches that gouge the fitting
- ◆ Can be wired into 3rd party control systems

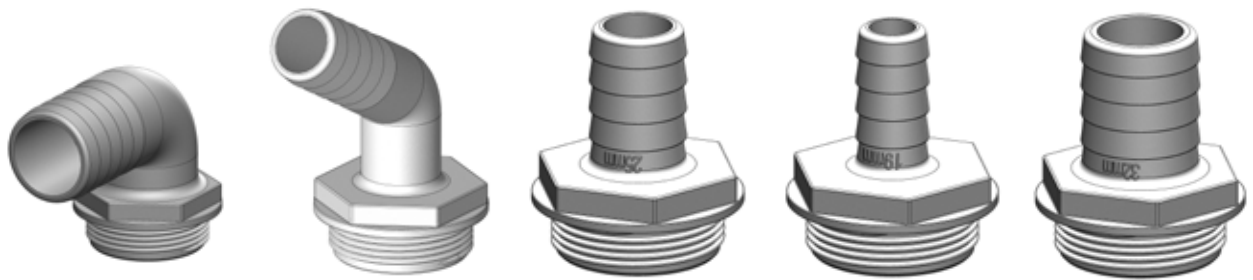


Type	Voltage	Included	Dims: L x W x H	mm	No
Diverter valve	12/24V	Plus control panel CP05 12V	Valve: 205x10x160	Panel: 92x70	TRD90344
Diverter valve	12/24V	Plus control panel CP05 24V	Valve: 205x105x160	Panel: 92x70	TRD90346

Aquavalue Fittings

Aquavalue fittings are suited to the most common sizes of tubing used in marine plumbing. Tails come packaged together with a Blue Seal, which is thicker than the Red Seals included in the Aquavalue, to allow the fitting to be rotated to a more suitable position if required.

- ◆ Not recommended for use with ball valves – please select from the long tail thread 90° fittings
- ◆ Manufactured from a glass reinforced nylon composite - high strength and lightweight
- ◆ Long tail feature - the use of 2 hose clamps is recommended for secure hose fitting
- ◆ Immune to corrosion and electrolysis - long life with no concerns over decreased performance due to corrosion
- ◆ Chemical resistant - impervious to diesel, petrol and antifouling paints
- ◆ UV resistant - these fittings will not break down with ultraviolet light or discolour from the sun
- ◆ High quality surface finish - will not discolour with green film as similar bronze fittings do
- ◆ Separate sealing component - secure reliable sealing for critical sanitary applications
- ◆ Large operating temperature range from -40°C to +110°C



Thread	BSP	Barb mm	Colour	No
1½"		19	White	TRD90538R
1½"		19	Black	TRD90542R
1½"		25	White	TRD90539R
1½"		25	Black	TRD90543R
1½"		32	White	TRD90540R
1½"		32	Black	TRD90544R
1½"		38	White	TRD90541R
1½"		38	Black	TRD90545R

Thread	BSP	Barb mm	Angle	Colour	No
1½"		25	90°	White inc Blue Washer	TRD90259R
1½"		25	90°	Black inc Blue Washer	TRD90466R
1½"		38	90°	White inc Blue Washer	TRD90299R
1½"		38	90°	Black inc Blue Washer	TRD90293R
1½"		25	120°	White inc Blue Washer	TRD90258R
1½"		25	120°	Black inc Blue Washer	TRD90465R
1½"		38	120°	White inc Blue Washer	TRD90298R
1½"		38	120°	Black inc Blue Washer	TRD90297R

Type	No
Silicone seal kit	TRD90316
Spanner	TRD90317
Blue seal	TRD90327
Red seal	TRD90475
Aquavalue thru bulkhead extension pack	TRD90453
Tank adaptor plug - 1½" BSP - White	TRD90501
205mm tank fitting tube	TRD90504
490mm tank fitting tube	TRD90503



Tank Level Indicator Kit

Level indication panel and tank probes in stainless steel for waste water tank.

- ◆ 3 scale LED to indicate when tank is almost full
- ◆ Both probe holder and panel have VDO connections
- ◆ Included in the kit: Indicator panel, stainless steel probes and wiring



Voltage	Dimensions W x L mm	Cutout dimensions W x L mm	No
12/24V	62x62	50x50	ALB0366012

Level Indicator Probes

Description	No
Level Indicator Probes	ALB0399014



Digital Tank Level Monitor Kit

12/24V digital fluid level sensor for plastic holding tanks.

- ◆ Sensor monitors the liquid level from the outside of the tank
- ◆ Can be wired for detecting either low liquid level or high liquid level
- ◆ Sensor can be wired to the LED indicator panel, audio buzzer or relay to remote signalling device
- ◆ Time delay on activation and deactivation to counter false signals due to sloshing of the liquid in the tank
- ◆ Included in the kit: 305mm (12") wire leads, display panel 12/24V with LED indicator light 12/24V, fuses and fuse holder



Voltage	Dimensions W x L mm	Cutout dimensions W x L mm	No
12/24V	76x56	51x32	ALB0369017

Aqualarm

An excellent solution for detecting holding tank full situations. Designed to trigger when the holding tank is nearly full eliminating tank overflow. A warning light is lit indicating the tank is full. There are two lengths of tank sensor available for added flexibility.

- ◆ Tru-Design's Aqualarm system provides early warning when a tank is nearly full
- ◆ The system is comprised of: indicator panel, in both surface mount or recessed mount
- ◆ Sensor switch
- ◆ 12V or 24V
- ◆ Mounting flexibility with surface and recessed mounting options available
- ◆ No more overflows
- ◆ Remote indication is excellent for hard to reach holding tanks
- ◆ The tank sensor switch is manufactured in materials that can withstand chemicals used in toilet applications
- ◆ Simple LED circuit doesn't drain your battery
- ◆ Sealed tank fitting - gasket or pipe thread ensures tank seal is maintained
- ◆ WARNING: The Aqualarm should not be used for petrol, diesel or other flammable fluids



TRD90310



TRD90309



TRD90311



TRD90460

Type	Voltage	Dimensions W x H x D mm	No
Recessed panel	12/24V	88x55x55	TRD90309
Surface panel	12/24V	99x57x40	TRD90310
Sensor switch short	12/24V	114xØ55	TRD90311
Sensor switch long	12/24V	197xØ30	TRD90460

Attwood Shower Sump Pump

- ◆ Offered in standard box or large box sizes
- ◆ The lid snaps in to allow quick installation (and removal for easy cleaning)
- ◆ Includes gasket to seal the sump box against overflow
- ◆ Sump box includes an air vent
- ◆ Multiple inlets can be hooked up to more than one drain - using different hose sizes - e.g. sink, shower, galley sink



Flow rate	Max head m	Open flow rate	Capacity @ 2.0m head	Voltage	Amp draw	Fuse size	Barb dia	Duplex wire length cm	Pack	No
500GPH	2.0	385GPH	130GPH	12V	1.4A	3A	3/4"	55	Standard Box	AT41411
750GPH	2.0	570GPH	290GPH	12V	2.5A	5A	3/4"	55	Standard Box	AT41421
750GPH	2.0	570GPH	290GPH	12V	2.5A	5A	3/4"	55	Large Box	AT41434

Marine Toilet Manual

The world's best selling design for ease of service in restricted spaces. Highest standards of performance, reliability, noise level and design. All bowls are made of white vitreous porcelain with corrosion resistant parts throughout.

- ◆ Appealing and functional design
- ◆ Easy to maintain and clean
- ◆ Come with a stable base for robust installation, plug and play/interchangeable with other manual toilet models
- ◆ Manual ergonomic flush pump with handle that can be mounted on left or right side
- ◆ Manual pump with lock and unlock settings to prevent movement when not in use or leaving waste pump in open position
- ◆ Mounting footprint the same as Jabsco and Johnson unit

Compact size with lower bowl height; white wooden seat. **Compact Low** extra compact size – the most compact manual water toilet model available; smallest and lightest on the market. For tight spaces in smaller boats this model still makes it possible having the comfort of a water toilet onboard; white wooden seat.



Type	Ports	Dims w x d x h mm	Weight kg	Replaces	No
Compact	Inlet 19mm (¾"), Outlet 38mm (1½")	470x425x345 height with seat open: 705	9.6	Johnson 80-47229-01 Jabsco 29090-3000 Ocean Technologies 6600200700	ALB0701001
Compact Low	Inlet 19mm (¾"), Outlet 38mm (1½")	450x425x310 height with seat open: 610	8.5	Johnson 80-47625-01 Ocean Technologies 6800200700	ALB0701003

Bowl and Seat Compact

- ◆ All bowls are made of white vitreous porcelain
- ◆ Appealing and functional design, easy to maintain and clean



Type	Description	No
Bowl Compact	Ceramic bowl for all Compact toilet models	ALB0799054
Bowl Compact Low	Ceramic bowl for all Compact Low toilet models	ALB0799055
Compact Seat	Original wooden seat for Compact and Design toilet models	ALB0799035

Manual Comfort Toilets

- ◆ Appealing and functional design
- ◆ Easy to maintain and clean
- ◆ Come with a stable base for robust installation, plug and play/interchangeable with other manual toilet models
- ◆ Manual ergonomic flush pump with handle that can be mounted on left or right side
- ◆ Manual pump with lock and unlock settings to prevent movement when not in use or leaving waste pump in open position
- ◆ Mounting footprint the same as Jabsco and Johnson unit

Comfort

Regular size bowl and white thermoplastic soft-close seat.



Type	Ports	Dims w x d x h mm	Weight kg	Replaces	No
Comfort	Inlet 19mm (¾"), Outlet 38mm (1½")	470x490x340 height with seat open: 705	11	Johnson 80-47230-01 Jabsco 29120-3000 Ocean Technologies 6600200800	ALB0701002

Bowl and Seat Comfort

- ◆ All bowls are made of white vitreous porcelain
- ◆ Appealing and functional design, easy to maintain and clean

ALB0799056



ALB0799036



Type	Description	No
Bowl Comfort	Ceramic bowl for all Comfort toilet models	ALB0799056
Comfort Seat soft-close	Original soft-close seat for Comfort toilet	ALB0799036

Marine Toilet Pump

- ◆ Toilet pump and base kit for all manual toilets
- ◆ Including all you need for a new assembly



Description	Replaces	No
Manual Toilet Pump	Interchangeable with Jabsco and Johnson Pump manual toilet pumps	ALB0766018

Marine Toilet Standard Electric EVO

The world's best selling design for ease of service in restricted spaces. Highest standards of performance, reliability, noise level and design. All bowls are made of white vitreous porcelain with corrosion resistant parts throughout.

- ◆ Combined electrical 12V or 24V macerator and pump for waste disposal and flushing in one single operation
- ◆ One touch electrical control panel
- ◆ Appealing and functional design
- ◆ Easy to maintain and clean
- ◆ Come with a stable base for robust installation, plug & play/interchangeable with other single operated or dual cycle electrical toilet models
- ◆ Mounting footprint the same as Jabsco and Johnson unit



ALB0702004



ALB0702005



ALB0702006



ALB0702007

Type	Ports	Voltage	Fuse	Dims w x d x h mm	Weigh kg	Replaces	No
Compact	Inlet 19mm (¾") Outlet 25mm or 38mm (1" or 1½")	12V	17A	345x480x345 height with seat open: 690	9.5	Johnson 80-47435-01 Jabsco 37010-0090 Ocean Technologies 6700000712	ALB0702004
Compact	Inlet 19mm (¾") Outlet 25 mm or 38mm (1" or 1½")	24V	8A	345x480x345 height with seat open: 690	9.5	Johnson 80-47435-02 Jabsco 37010-0096 Ocean Technologies 6700000724	ALB0702005
Compact Low	Inlet 19mm (¾") Outlet 25mm or 38mm (1" or 1½")	12V	17A	345x480x310 height with seat open: 610	9.2	Johnson 80-47626-01 Ocean Technologies 6500000412	ALB0702008
Compact Low	Inlet 19mm (¾") Outlet 25mm or 38mm (1" or 1½")	24V	8A	345x480x310 height with seat open: 610	9.2	Johnson 80-47626-02 Ocean Technologies 6500000424	ALB0702009
Comfort	Inlet 19mm (¾") Outlet 25mm or 38mm (1" or 1½")	12V	17A	470x500x340 height with seat open: 705	11	Johnson 80-47436-01 Jabsco 37010-1090 Ocean Technologies 6700000812	ALB0702006
Comfort	Inlet 19mm (¾") Outlet 25mm or 38mm (1" or 1½")	24V	8A	470x500x340 height with seat open: 705	11	Johnson 80-47436-02 Jabsco 37010-1096 Ocean Technologies 6700000824	ALB0702007

Marine Standard Electric Toilets Design

The world's best selling design for ease of service in restricted spaces. Highest standards of performance, reliability, noise level and design. All bowls are made of white vitreous porcelain with corrosion resistant parts throughout.

- ◆ Separated flushing and waste disposal cycle
Rocker switch control panel; selects normal flush cycle, raises & lower water level in bowl as required
- ◆ Water is from existing pressurised water system onboard with solenoid valve (12V: **ALB0766030**, 24V: **ALB0766031**) or flush pump (12V: **ALB0766032**, 24V: **ALB0766033**) – not included
- ◆ Silent operation and low water consumption
- ◆ Appealing and functional design
- ◆ White wooden seat
- ◆ Easy to maintain and clean
- ◆ Come with a stable base for robust installation, plug & play/interchangeable with other single operated or dual cycle electrical toilet models



Type	Ports	Voltage	Fuse	Dims w x d x h mm	Weight kg	Replaces	No
Standard Electric	Inlet 19mm (¾") Outlet 25mm or 38mm (1" or 1½")	12V	17A	345x410x400 height with seat open: 720	18	Johnson 80-47505-01 Jabsco 58500-0012 Ocean Technologies 6500200912	ALB0702043
Standard Electric	Inlet 19mm (¾") Outlet 25mm or 38mm (1" or 1½")	24V	8A	345x410x400 height with seat open: 720	18	Johnson 80-47505-02 Jabsco 58500-0024 Ocean Technologies 6500200924	ALB0702044

Bowl and Seat Design

- ◆ All bowls are made of white vitreous porcelain
- ◆ Appealing and functional design, easy to maintain and clean



ALB0799067



ALB0799035



Type	Description	No
Bowl Design	Ceramic bowl for all Design toilet models	ALB0799067
Compact Seat	Original wooden seat for Compact and Design toilet models	ALB0799035

Marine Toilet Silent Electric Compact

The world's best selling design for ease of service in restricted spaces. Highest standards of performance, reliability, noise level and design. All bowls are made of white vitreous porcelain with corrosion resistant parts throughout.

- ◆ Separated flushing and waste disposal cycle
- ◆ Rocker switch control panel; selects normal flush cycle, raises & lower water level in bowl as required
- ◆ Water is from existing pressurised water system onboard with solenoid valve (12V: **ALB0766030**, 24V: **ALB0766031**) or flush pump (12V: **ALB0766032**, 24V: **ALB0766033**) – not included
- ◆ Silent operation and low water consumption
- ◆ Appealing and functional design
- ◆ Easy to maintain and clean
- ◆ Come with a stable base for robust installation, plug & play/interchangeable with other single operated or dual cycle electrical toilet models



Type	Ports	Voltage	Fuse	Dims w x d x h mm	Weight kg	Replaces	No
Compact	Inlet 19mm (¾") Outlet 25mm or 38mm (1" or 1½")	12V	17A	345x420x390 height with seat open: 700	9.2	Johnson 80-47231-01 Jabsco 37045-0092 Ocean Technologies 6600200712	ALB0703010
Compact	Inlet 19mm (¾") Outlet 25mm or 38mm (1" or 1½")	24V	8A	345x420x390 height with seat open: 700	9.2	Johnson 80-4723-02 Jabsco 37045-0094 Ocean Technologies 6600200724	ALB0703011

Bowl and Seat Compact

- ◆ All bowls are made of white vitreous porcelain
- ◆ Appealing and functional design, easy to maintain and clean



ALB0799054



ALB0799055



ALB0799035

Type	Description	No
Bowl Compact	Ceramic bowl for all Compact toilet models	ALB0799054
Bowl Compact Low	Ceramic bowl for all Compact Low toilet models	ALB0799055
Compact Seat	Original wooden seat for Compact and Design toilet models	ALB0799035

Marine Toilet Silent Electric Comfort

The world's best selling design for ease of service in restricted spaces. Highest standards of performance, reliability, noise level and design. All bowls are made of white vitreous porcelain with corrosion resistant parts throughout.

- ◆ Separated flushing and waste disposal cycle
- ◆ Rocker switch control panel; selects normal flush cycle, raises & lower water level in bowl as required
- ◆ Water is from existing pressurised water system onboard with solenoid valve (12V: **ALB0766030**, 24V: **ALB0766031**) or flush pump (12V: **ALB0766032**, 24V: **ALB0766033**) – not included
- ◆ Silent operation and low water consumption
- ◆ Appealing and functional design
- ◆ Easy to maintain and clean
- ◆ Come with a stable base for robust installation, plug & play/interchangeable with other single operated or dual cycle electrical toilet models



Type	Ports	Voltage	Fuse	Dims w x d x h mm	Weight kg	Replaces	No
Comfort	Inlet 19mm (¾") Outlet 25mm or 38mm (1" or 1½")	12V	17A	470x490x385 height with seat open: 755	10.8	Johnson 80-47232-01 Jabsco 37045-4092 Ocean Technologies 6600200812	ALB0703012
Comfort	Inlet 19mm (¾") Outlet 25mm or 38mm (1" or 1½")	24V	8A	470x490x385 height with seat open: 755	10.8	Johnson 80-47232-02 Jabsco 37045-4094 Ocean Technologies 6600200824	ALB0703013

Bowl and Seat Comfort

- ◆ All bowls are made of white vitreous porcelain
- ◆ Appealing and functional design, easy to maintain and clean



ALB0799056



ALB0799036



Type	Description	No
Bowl Comfort	Ceramic bowl for all Comfort toilet models	ALB0799056
Comfort Seat soft-close	Original soft-close seat for Comfort toilet models	ALB0799036

Marine Toilets Silent Electric Design

The world's best selling design for ease of service in restricted spaces. Highest standards of performance, reliability, noise level and design. All bowls are made of white vitreous porcelain with corrosion resistant parts throughout.

- ◆ Separated flushing and waste disposal cycle
- ◆ Rocker switch control panel; selects normal flush cycle, raises & lower water level in bowl as required
- ◆ Water is from existing pressurised water system onboard with solenoid valve (12V: **ALB0766030**, 24V: **ALB0766031**) or flush pump (12V: **ALB0766032**, 24V: **ALB0766033**) – not included
- ◆ Silent operation and low water consumption
- ◆ Appealing and functional design
- ◆ Easy to maintain and clean
- ◆ White wooden seat
- ◆ Come with a stable base for robust installation, plug & play/interchangeable with other single operated or dual cycle electrical toilet models



Type	Ports	Voltage	Fuse	Dims w x d x h mm	Weight kg	Replaces	No
Silent Electric	Inlet 19mm (¾") Outlet 25mm or 38mm (1" or 1½")	12V	17A	340x410x405 height with seat open: 720	18	Johnson 80-47506-01 Jabsco 58500-1012 Ocean Technologies 6600200912	ALB0702045
Silent Electric	Inlet 19mm (¾") Outlet 25mm or 38mm (1" or 1½")	24V	8A	340x410x405 height with seat open: 720	18	Johnson 80-47506-02 Jabsco 58500-1024 Ocean Technologies 6600200924	ALB0702046

Bowl and Seat Design

- ◆ All bowls are made of white vitreous porcelain
- ◆ Appealing and functional design, easy to maintain and clean



ALB0799067



ALB0799035



Type	Description	No
Bowl Design	Ceramic bowl for all Compact toilet models	ALB0799067
Compact Seat	Original wooden seat for Compact and Design toilet models	ALB0799035

Marine Toilet Silent Premium

The world's best selling design for ease of service in restricted spaces. Highest standards of performance, reliability, noise level and design. All bowls are made of white vitreous porcelain with corrosion resistant parts throughout.

- ◆ Separated flushing and waste disposal cycle
- ◆ Electronic 3 function control panel: before use, after use and short use, plus a trimmer to regulate the flow rate
- ◆ White, rigid thermoset material, soft-close seat with stainless steel hinges
- ◆ Water is from existing pressurised water
- ◆ System onboard with solenoid valve (12V: **ALB0766030**, 24V: **ALB0766031**) or flush pump (12V: **ALB0766032**, 24V: **ALB0766033**) – not included
- ◆ Very silent operation and maximised comfort; low water consumption
- ◆ Easy to maintain and clean
- ◆ Come with a stable base for robust installation, plug & play/interchangeable with other single operated or dual cycle electrical toilet models



ALB0704014



ALB0704016



Type	Ports	Voltage	Fuse	Dims w x d x h mm	Weight kg	Replaces	No
Premium	Inlet 19mm (¾"). Outlet 25mm or 38mm (1" or 1½")	12V	30A	365 x 455 x 455 height with seat open: 860	21	Premium/ luxury models from Jabsco, Dometic, Tecma	ALB0704014
Premium	Inlet 19 mm (¾"). Outlet 25mm or 38mm (1" or 1½")	24V	16A	365 x 455 x 455 height with seat open: 860	21	Premium/ luxury models from Jabsco, Dometic, Tecma	ALB0704015
Premium Low	Inlet 19mm (¾"). Outlet 25mm or 38mm (1" or 1½")	12V	30A	365x455x385 height with seat open: 720	20	Premium/ luxury models from Jabsco, Dometic, Tecma	ALB0704016
Premium Low	Inlet 19mm (¾"). Outlet 25mm or 38mm (1" or 1½")	24V	16A	365x455x385 height with seat open: 720	20	Premium/ luxury models from Jabsco, Dometic, Tecma	ALB0704017

Bowl and Seat Premium

- ◆ All bowls are made of white vitreous porcelain
- ◆ Appealing and functional design, easy to maintain and clean



ALB0794078



ALB0794081



ALB0799037

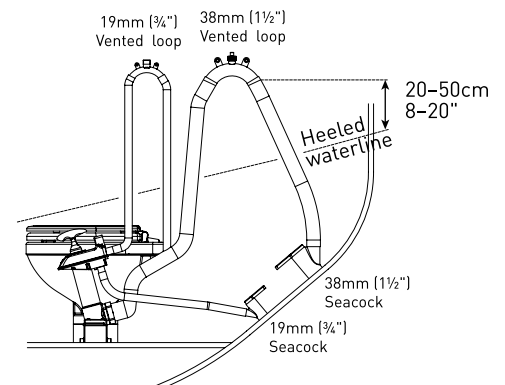
Type	Description	No
Bowl Premium	Ceramic bowl for all Premium Std. toilet models	ALB0794078
Bowl Premium Low	Ceramic bowl for all Premium Low toilet models	ALB0794081
Premium Seat SC	Original soft-close seat for Premium toilet models	ALB0799037

Installation Manual Toilets

If the toilet is connected to any thru-hull fitting and if the rim of the bowl falls below the waterline, for example during heavy seas, there is the risk of water flooding in, causing the boat to sink, which may result in loss of life. Therefore, if the rim of the toilet is less than 20cm (8") above the waterline when the craft is at rest, or if there is any possibility that the rim of the bowl may be below the waterline at ANY time, a vented loop MUST be fitted in any pipework connected to a thru-hull fitting, irrespective of whether inlet or discharge. The loop must be vented to avoid the siphoning of water back into the boat through the toilet.

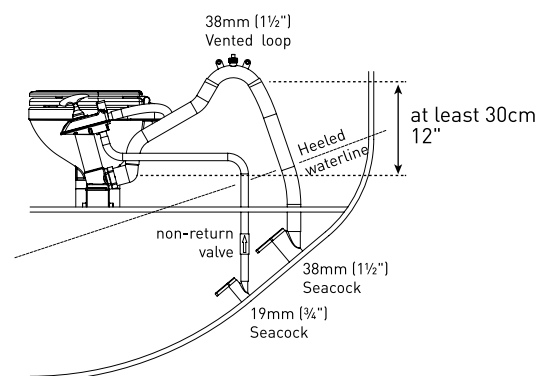
Toilet below waterline or below holding tank

- ◆ Inlet: 19mm (3/4") Vented Loop fitting
- ◆ Run the inlet hose by the most direct route to the toilet flushing pump inlet connection
- ◆ Remove the white hose supplied with the toilet which connects the flushing pump outlet tail to the bowl elbow - using a spanner, rotate the intake seal so that the elbow points upwards - replace the white hose with a longer length of 19mm (3/4") internal diameter hose and position it in a way so that its point is 20-50cm (8-20") above the highest possible waterline and fit the vented loop at that highest point
- ◆ Caution: DO NOT POSITION THE VENTED LOOP BETWEEN THE INLET SEACOCK AND THE FLUSHING PUMP INLET, as it will make the flushing pump difficult or harder to prime, and could prevent it from working at all
- ◆ Discharge: 25mm (1") or 38mm (1 1/2") Vented Loop fitting Mounting
- ◆ Arrange the discharge hose, so that its highest point is 20-50cm (8-20") above the waterline or the highest level of the holding tank, and fit the vented loop at the highest point
- ◆ Run the discharge hose from the toilet to the vented loop
- ◆ Run the discharge hose from the vented loop to the seacock or holding tank



Toilet above waterline or above holding tank

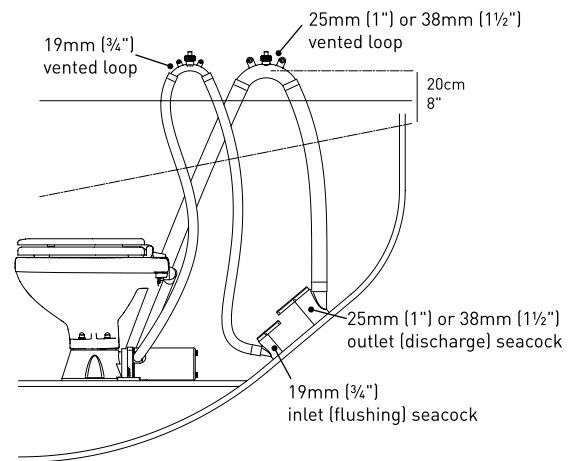
- ◆ Inlet: 19mm hose
- ◆ Run the inlet hose by the most direct route from the inlet seacock to a non-return valve
- ◆ Run the inlet hose from the non-return valve to the flushing pump inlet connection
- ◆ For convenience of use, install an in-line non-return valve next to the inlet seacock which will ensure that the pump stays primed in between usages
- ◆ Discharge: 25mm (1") or 38mm (1 1/2") hose
- ◆ Rise the discharge hose at least 30cm (12") above the discharge elbow and fit a vented loop at its highest point - this will help to retain water in the bowl
- ◆ Connect discharge hose connection on the toilet to the seacock or holding tank



Installation Electric Standard Toilets

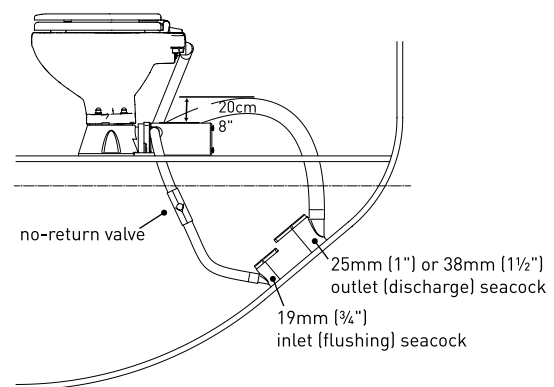
Toilet below waterline or below holding tank

- ◆ Inlet: 19mm (¾") Vented Loop fitting
- ◆ The vented loop must be positioned in a way that its point is at least 20cm (8") above the highest possible waterline
- ◆ Run the inlet hose by the most direct route from the inlet seacock to the vented loop
- ◆ Run the inlet hose by the most direct route from the vented loop to toilet flushing pump inlet connection
- ◆ Discharge: 25mm (1") or 38mm (1½") Vented Loop fitting Mounting
- ◆ Arrange the discharge hose, so that its highest point is at least 20cm (8") above the waterline or holding tank, and fit the vented loop at the highest point
- ◆ Run the discharge hose from the toilet to the vented loop
- ◆ Run the discharge hose from the vented loop to the seacock or holding tank



Toilet above waterline or above holding tank

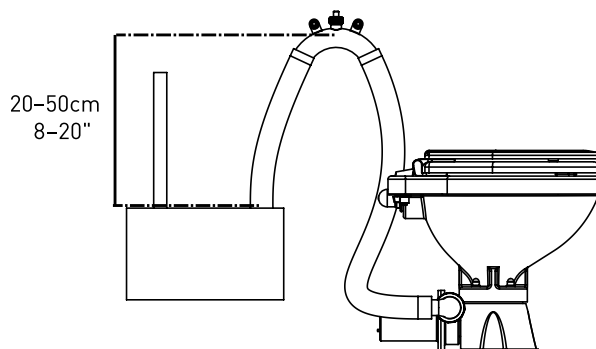
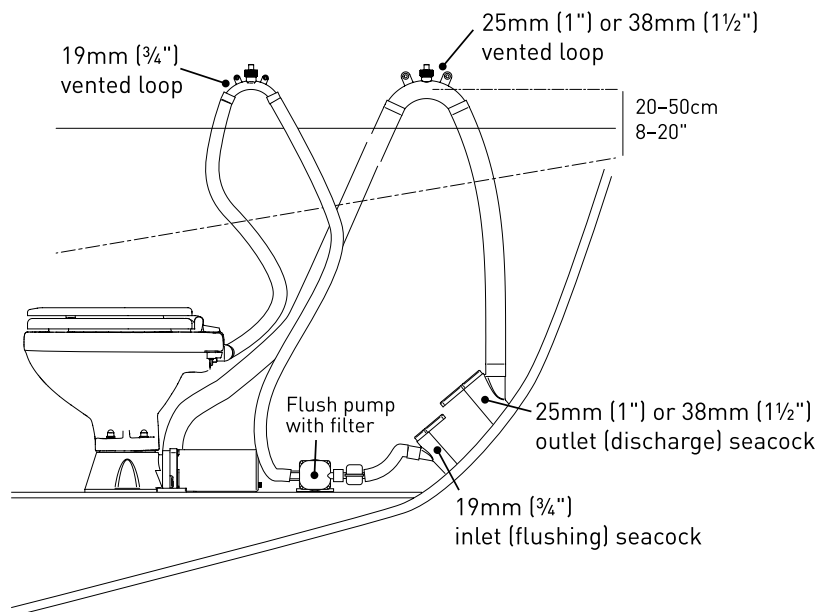
- ◆ Inlet: 19mm hose
- ◆ Run the inlet hose by the most direct route from the inlet seacock to a non-return valve
- ◆ Run the inlet hose from the non-return valve to the flushing pump inlet connection
- ◆ For convenience of use, install an in-line non-return valve next to the inlet seacock which will ensure that the pump stays primed in between usages
- ◆ Discharge: 25mm (1") or 38mm (1½") hose
- ◆ As close as possible to the toilet, rise the discharge hose 20cm above the base to retain water in the bowl. Make sure the outlet hose stays in this position
- ◆ Connect discharge hose connection on the toilet to the seacock or holding tank



Installation Electric Silent Toilets

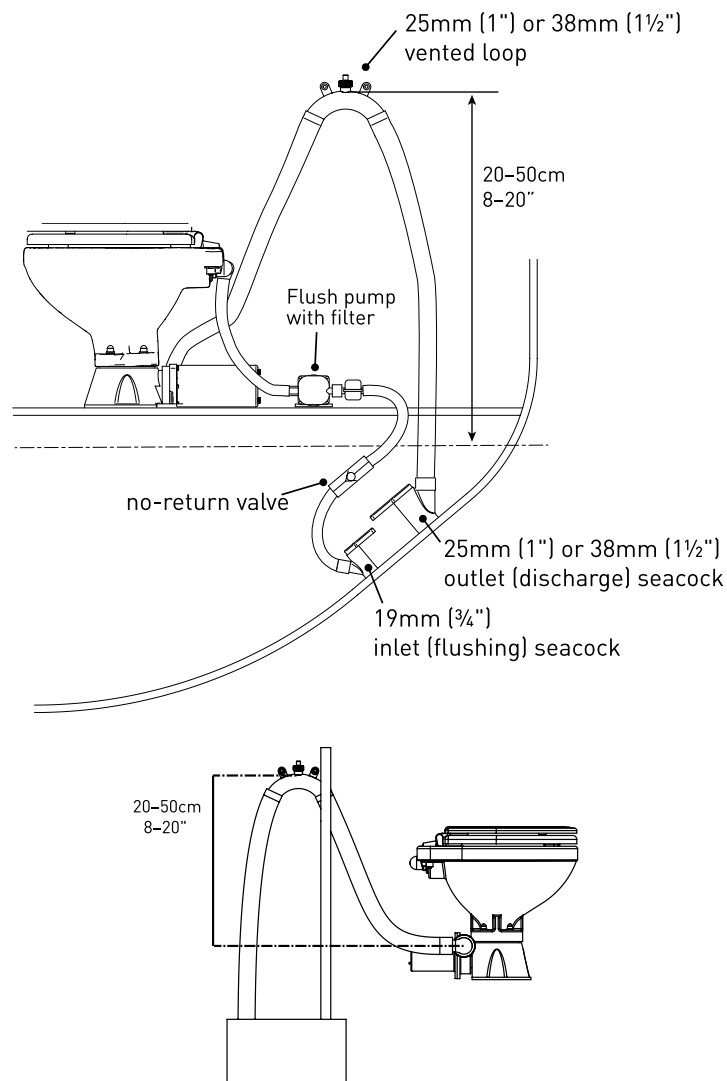
Toilet below waterline or below holding tank

- ◆ Inlet: 19mm (3/4") Vented Loop fitting
- ◆ The vented loop must be positioned in a way that its highest point is 20–50cm (8–20") above the highest possible waterline
- ◆ Run the inlet hose by the most direct way from the inlet seacock, via the flush pump to the vented loop; or, the most direct way from the pressurised water pipe in a centralised system
- ◆ Run the inlet hose by the most direct way from the vented loop to toilet flushing pump inlet connection
- ◆ Discharge: 25mm (1") or 38mm (1½") Vented Loop fitting Mounting
- ◆ Arrange the discharge hose, so that its highest point is at least 20cm (8") above the waterline or holding tank, and fit the vented loop at the highest point
- ◆ Run the discharge hose from the toilet to the vented loop
- ◆ Run the discharge hose from the vented loop to the seacock or holding tank



Toilet above waterline or above holding tank

- ◆ Inlet: 19mm hose
- ◆ Run the inlet hose by the most direct route from the inlet seacock to a non-return valve; or, the most direct way from the pressurised water pipe in a centralised system
- ◆ Run the inlet hose from the non- return valve to the flush pump and then to the flushing pump inlet connection For convenience of use, install an in-line non-return valve next to the inlet seacock which will ensure that the pump stays primed in between usages
- ◆ Discharge: 25mm (1") or 38mm (1½") hose
- ◆ Arrange the discharge hose, so that its highest point is 20–50cm (8 –20") above the waterline or holding tank, and fit the vented loop at the highest point
- ◆ Run the discharge hose from the toilet to the vented loop
- ◆ Run the discharge hose from the vented loop to the seacock or holding tank



Standard Electric Toilet Conversion

Converts your manual or silent electric toilet to a 12/24V one cycle electric operated version. Including all you need for a new assembly, also the one push electrical control panel.

Voltage	Connections	Weight kg	No
12V	Inlet 19mm (¾") Outlet 25mm or 38mm (1" or 1½")	2.4	ALB0766019
24V	Inlet 19mm (¾") Outlet 25mm or 38mm (1" or 1½")	2.4	ALB0766020



Standard Electric EVO Toilet Conversion Kit

Converts your manual or silent electric toilet to a 12/24V new EVO version. More silent with higher capacity than former standard electric models. Including all you need for a new assembly, also the one push electrical control panel.

Voltage	Connections	Weight kg	No
12V	Inlet 19mm (¾"), Outlet 25mm or 38mm (1" or 1½")	2.4	ALB0792050
24V	Inlet 19mm (¾"), Outlet 25mm or 38mm (1" or 1½")	2.4	ALB0792051



Silent Electric Toilet Kit

Converts your manual or standard electric toilet to a 12/24V separated flushing and waste disposal cycle version. Including all you need for a new assembly, also the electronic 3 function control panel. More silent and less water consumption. Water is from existing pressurised water system onboard with 12V solenoid valve (**ALB0766030**) – 24V solenoid valve (**ALB0766031**) or 12V flush pump (**ALB0766032**) – 24V flush pump (**ALB0766033**)- not included.

Voltage	Connections	Weight kg	No
12V	Outlet 25mm or 38mm (1" or 1½")	2.1	ALB0766021
24V	Outlet 25 mm or 38 mm (1" or 1½")	2.1	ALB0766022



Control Panel Electric Toilet

- ◆ The panel controls the combined rinse and discharge by a single button



Voltage	Dims w x l mm	Cutout dims w x l mm	No
12/24V	62x114	52x48	ALB0766023

Digital Control Panel Silent Electric Toilet

- ◆ Three functions: before use, after use, short use and trimmer to regulate the flow



Voltage	Dims w x l mm	Cutout dims w x l x d mm	No
12/24V	82x121	78x55x26	ALB0766024

Control Panel Silent Electric Toilet Rocker Switch

- ◆ The panel controls the rinse and the discharge, by two buttons:
Button 1- one function: discharge and rinse
Button 2 -two functions: rinse toilet or discharge toilet



Voltage	Dims w x l mm	Cutout dia mm	No
12/24V	62x98	2 x 45Ø	ALB0766025

Control Panel ECO Flush Electric Toilet With Level Indicator

- ◆ Electronic control system with ECO flush functionality and tank level indicator control integrated in panel
- ◆ Normal/full flush button - 5 seconds delivery approx. 5L (1.3USG) of water ECO flush button - 2½ seconds delivery approx. 2.5L (0.66USG) of water



Voltage	Dims w x l mm	Cutout dims w x l x d mm	No
12/24V	82x126	78x55x26	ALB0766026

Flush Pump

Silent and robust 4-diaphragm flush pump to be used with any toilet that has an external flush system.

- ◆ Perfect companion to Albin Pump Marine silent electric and premium marine toilets
- ◆ Can be run dry
- ◆ Strainer included



Voltage	Flow rate	Ports	Fuse	Dims w x d x h mm	No
12V	3.2GPH 2.6bar (38psi) self-priming 7m (23ft)	19mm (3/4") inner diameter hose	6A	112x190x94	ALB0766032
24V	3.2GPH 2.6bar (38psi) self-priming 7m (23ft)	19mm (3/4") inner diameter hose	3A	112x190x94	ALB0766033

Solenoid Valve

To be used with pressurised fresh water systems.



Voltage	Internal pipe thread size inch	No
12V	1/2"	ALB0766030
24V	1/2"	ALB0766031

Vented Loop

If the toilet is connected directly to a skin fitting and the rim of the toilet is less than 20cm (8") above the waterline when the vessel is at rest; or if there is any risk of the rim of the toilet at any stage being lower than the waterline a vented loop must be fitted.



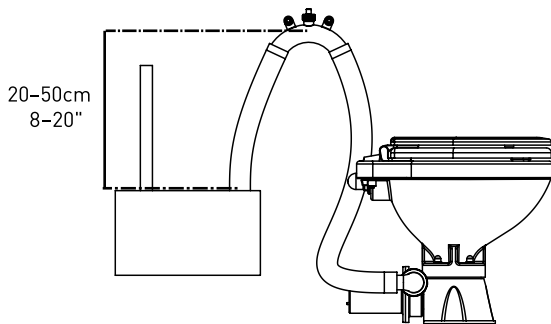
ALB0766028



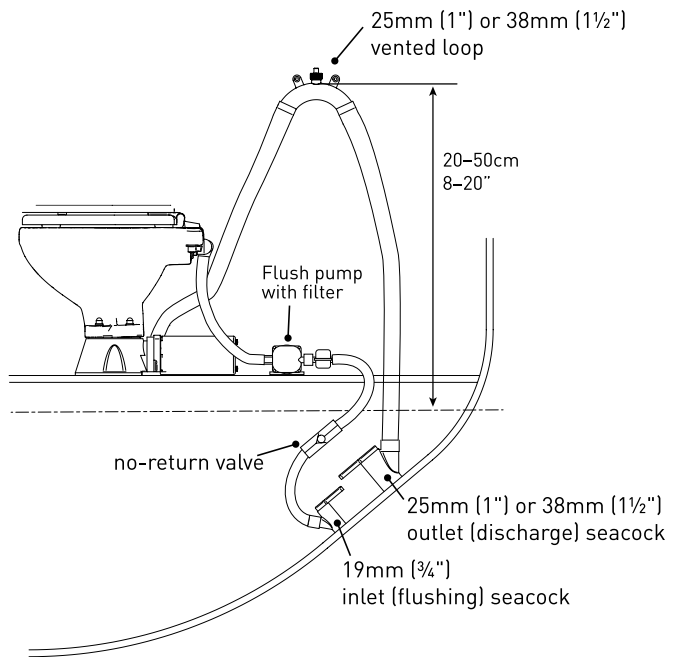
ALB0766027



ALB0766029



20-50cm
8-20"



Vented Loop

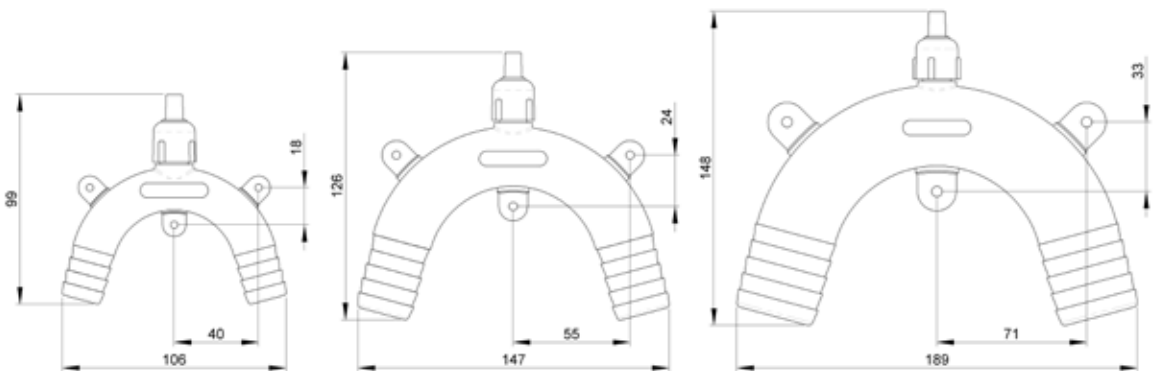
No

19mm (¾")	ALB0766027
25mm (1")	ALB0766028
38mm (1½")	ALB0766029

Plumbing Fittings Vented Loops

Vented loops prevent water siphoning from underwater skin fittings back into a vessel and thereby guard against accidental flooding. Vented loops are used predominantly in toilet to overboard applications, toilet inlet applications and holding tank to overboard applications. The simple one way breather valve at the top of the vented loop allows air to enter the line when not in use, thereby preventing siphoning - and yet seals when water or waste passes through the loop. The duckbill one way valve is designed to seal even when particles are present in the fluid.

- ◆ Silicone duckbill valve - long life with no perishing or hardening
- ◆ Constant internal diameter - no restriction to flow
- ◆ Self-contained mounting - 3 screw mounting posts give secure and easy installation
- ◆ Chemical resistant - impervious to diesel, petrol, toilet cleaning chemicals etc
- ◆ UV resistant - will not break down or discolour with ultraviolet light from the sun
- ◆ Large operating temperature range from -20°C to +110°C



Description	Colour	No
19mm	White	TRD90319R
19mm	Black	TRD90318R
25mm	White	TRD90321R
25mm	Black	TRD90320R
38mm	White	TRD90323R
38mm	Black	TRD90322R

Active Carbon Filter

To facilitate the dispersal of gases built up in the waste tank and the ease of emptying, the tank must be ventilated. The Active carbon filter will absorb heavier-than-air gases associated with organic waste and eliminate a source of malodour from the vent at the exterior of the boat.



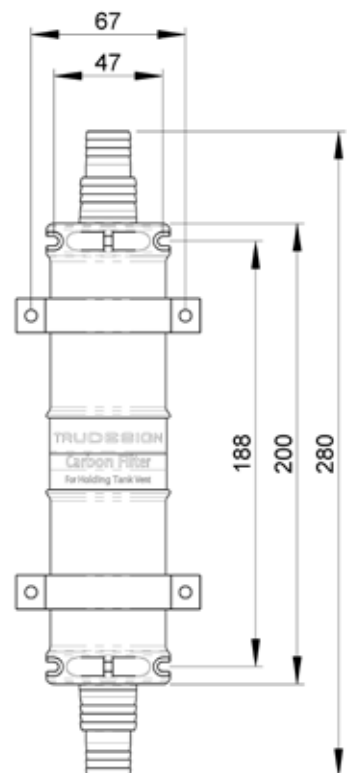
Ports	Weight kg	No
16-19-25mm ($\frac{3}{8}$ - $\frac{3}{4}$ - 1")	0.15	ALB0366011



Carbon Filter for holding tank

A carbon filter is a useful addition to a holding tank vent pipe to reduce the odour of decomposing sewage

- ◆ The activated carbon in the filter absorbs and converts the odours from your holding tank
- ◆ It is designed to remove excess odour from a properly functioning holding tank
- ◆ Holding tanks require good ventilation to ensure aerobic decomposition
- ◆ For optimum operation install carbon filter vertically. The filter should not be installed at less than a 45° angle to vertical
- ◆ Recommend installing the filter with the clear portion on the bottom so fluid overflow can be seen
- ◆ Servicing: the carbon filter requires replacement annually



Hose size options	No
19mm & 25mm	TRD90355



Elsan Blue

- ◆ It is essential that a toilet fluid should kill harmful bacteria and germs to prevent them from multiplying
- ◆ Elsan Blue's powerful anti-bacterial formula kills them on contact whilst eliminating unpleasant odours

Description	Quantity	No
Elsan Blue	2L	ELBLU02
Elsan Blue	4L	ELBLU04

- ◆ Elsan Blue and Double Blue are the only fluids you can buy that exceed British Standards. Elsan Blue is pleasantly fragranced, non-staining and suitable for all chemical toilets and cassettes



Elsan Double Blue

- ◆ Double Blue is double concentrated so whilst it gives exactly the same unbeatable anti-bacterial performance as Elsan Blue, it provides twice the doses
- ◆ Elsan Double Blue is pleasantly fragranced, non-staining and suitable for all chemical and cassette toilets

Description	Quantity	No
Elsan Double Blue	400ml	ELDBLU400
Elsan Double Blue	1L	ELDBLU01



ELDBLU01



ELDBLU400

Elsan Rinse

- ◆ When added to the flush tank, Elsan Rinse and Double Rinse keep the toilet fresh and remove bad odours when the toilet is flushed
- ◆ They also lubricate and clean the bowl
- ◆ Double Rinse is double concentrated, it comes in a smaller bottle so takes up less of your valuable storage space
- ◆ Both Rinse and Double Rinse are suitable for all chemical toilets and cassettes

Description	Quantity	No
Elsan Pink	2L	ELPIN02
Elsan Double Rinse	400ml	ELDRIN400
Elsan Double Rinse	1L	ELDRIN01



ELDRIN01



ELDRIN400



ELPIN02



Double Rinse

- ◆ Double Blue & Double Rinse promotional pack

Description	Quantity	No
Double Blue & Double Rinse	2L	ELDBR02X



Elsan New Blue Bags

- ◆ Clean, safe and easy to use, these sachets provide the ultimate in performance and reliability
- ◆ Because each sachet contains an exact dose of concentrated powder, no measuring is required
- ◆ As the sachet comes in contact with water it quickly dissolves, killing the bacteria and eliminating odours whilst imparting a pleasant fragrance

Description	Quantity	No
New Blue Bags	Pot of 21 Sachets	ELBAG15P



Elsan BoatKem Toilet Fluid

- ◆ Toilet fluid specially formulated for canal and marine boat toilets. Boatkem represents a major breakthrough in chemical toilet sanitation
- ◆ Fast acting Long lasting
- ◆ Formaldehyde free
- ◆ No chemical smell
- ◆ Safe for the aquatic environment
- ◆ Add 75ml for every 10L of waste

Description	Quantity	No
BoatKem formaldehyde free	2L	ELBOAT02



Elsan Blue Rolls

- ◆ Soft, strong and specially manufactured for chemical and cassette toilet systems, Blue Rolls are the ideal choice for marine use
- ◆ Elsan Blue Rolls are twice as long as ordinary toilet rolls

Description	Quantity	No
Blue Rolls	4 x 400 Sheet Rolls	ELROLO4





Elsan Organic Toilet Fluid

- ◆ By dissolving waste and removing odours naturally, the chemical smell that has long been associated with toilets has at last been eliminated and replaced with a delightful mild fragrance. It's a toilet rinse too, can be used in both flush and waste tanks which makes things so much more convenient

- ◆ It is environmentally safe and free from harsh chemicals means that waste can be emptied into a septic tank



Description	Quantity	No
Elsan Green	2L	ELGRE02

Elsan Septic Tank Care

- ◆ A natural blend of micro-organisms that help protect your septic tank against the build-up of solid deposits, system back up and foul odours. Elsan Septic Tank Care uses the processes found in nature to keep your septic tank functioning at its best
- ◆ Elsan Septic Tank Care Multi-action is supplied in packs of 12 convenient water soluble sachets for 12 months usage

- ◆ As well as adding bacteria to optimise the decomposition of toilet solids it also introduces carefully selected micro-organisms, not normally present, that will digest fat, oil, and grease to prevent blockages in the system or the drain filled



Description	Quantity	No
Septic tank Multi-Action tub	12 Sachets	ELSEPT40

Oxford

- ◆ A budget priced toilet with a 25L waste capacity, anti-spill lid, angled front for easy emptying and a strong nylon coated carrying handle



Description	No
Oxford Grey/Cream	ELOXF01

Instant Fresh

- ◆ A simple one-step, highly effective way to deal with the boat's holding tank that eliminates the need for multiple chemicals
- ◆ Breaks down waste to remove potential odours, while leaving a light, pleasant scent behind
- ◆ Additionally, special lubricants prevent drain valves from sticking
- ◆ Non-formaldehyde, non-staining, biodegradable formula
- ◆ Fresh scent controls holding tank odours
- ◆ 16oz/473ml: treats up to 606L
- ◆ 32oz/946ml: treats up to 1211L
- ◆ 1 gal/3.79L: treats up to 4844L



SB71716



SB71734



SB71718



SB71732



SB71703

Description	Quantity	Fragrance	No
Toilet Chemical	500ml	Lemon	SB71716
Toilet Chemical	950ml	Pine	SB71734
Toilet Chemical	500ml	Pine	SB71718
Toilet Chemical	950ml	Lemon	SB71732
Toilet Chemical	3.79L	Pine	SB71703
Toilet Chemical	6 x 950ml Pack	Pine	SB71763



SB71763

Toilet Bowl Cleaner

- ◆ Safe and easy to use
- ◆ Cleans, brightens and removes stains from plastic & porcelain bowls
- ◆ Specially formulated for marine use
- ◆ Will not damage seals or valves
- ◆ Contains no harsh chemicals
- ◆ Kills odours
- ◆ No hard rubbing or scrubbing required
- ◆ Will not interfere with the action of most holding tank treatments



Description	Quantity	No
Toilet Bowl Cleaner	500ml	SB86416

Water Pressure Pump

Albin Pump Marine WPS300-Series 3-chamber and WPS500-Premium Series 5-chamber diaphragm Water Pressure System pumps for providing pressurised water on demand. WPS pumps supply continuous, pulsation-free, pressurised flow of both hot and cold water to faucets/taps, shower heads and more. Choose between the 3 and 5 chamber diaphragm pumps, depending on required flow rates and number of faucets to be served.

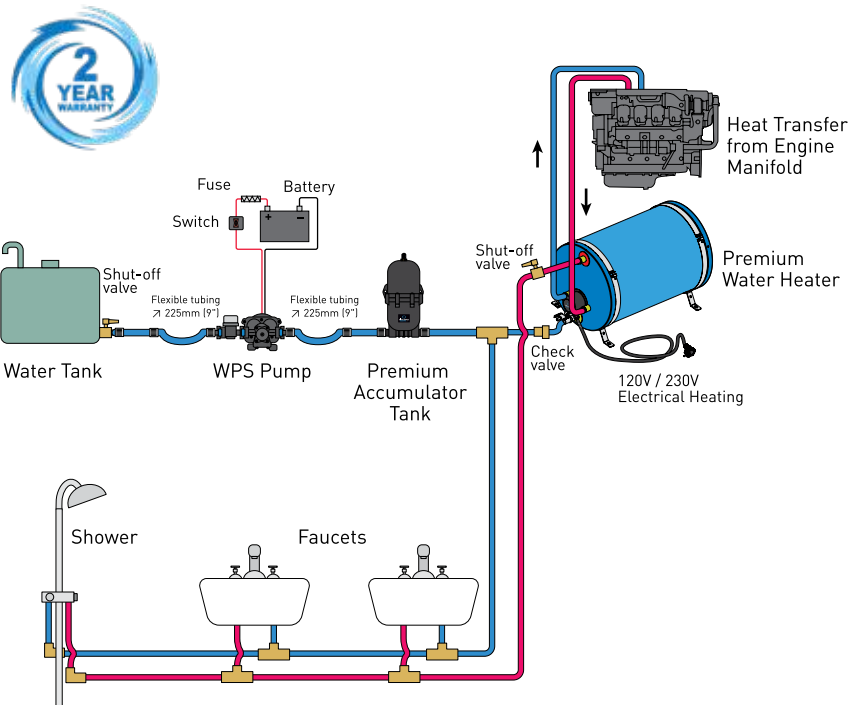
- ◆ Easy to install
- ◆ Integrated extra heavy duty sealed pressure switch
- ◆ Smooth & pulsation-free flow
- ◆ Quiet operation
- ◆ Serves multiple outlets
- ◆ Self-priming 2m (6.5ft)
- ◆ Quick disconnect ports
- ◆ Click-on 40 µm-mesh strainer included
- ◆ Composite base mount for even quieter operation
- ◆ Manufactured according to CE standard
- ◆ EN55014-1 electromagnetic compatibility, ISO 88461-1 ignition protection. ISO 10133 design, construction and installation of DC systems in small craft (under approval)



ALB0201003



ALB0201008



Type	Capacity	No. of outlets	Pressure cutoff	Voltage	Fuse size	Quick connections	Dims mm	No
WPS 2.6	9.8L/min (2.6GPM)	1 to 3	2.8bar (41psi)	12V	10A	½" hose	205x125x110	ALB0201003
WPS 3.5	13L/min (3.5GPM)	1 to 3	2.8bar (41psi)	12V	10A	½" hose	205x125x110	ALB0201004
WPS 3.5	13L/min (3.5GPM)	1 to 3	2.8bar (41psi)	24V	5A	½" hose	205x125x110	ALB0201005
WPS 4.0	15L/min (4.0GPM)	1 to 5	2.8bar (41psi)	12V	10A	½" hose	250x130x115	ALB0202006
WPS 4.0	15L/min (4.0GPM)	1 to 5	2.8bar (41psi)	24V	5A	½" hose	250x130x115	ALB0202007
WPS 5.3	20L/min (5.3GPM)	1 to 6	2.8bar (41psi)	12V	15A	½" hose	250x130x115	ALB0202008
WPS 5.3	20L/min (5.3GPM)	1 to 6	2.8bar (41psi)	24V	8A	½" hose	250x130x115	ALB0202009

Aqua King Freshwater Pumps

Unique single-piece diaphragm and internal bypass valve (3.0 standard models) ensures a long life and top performance in all plumbing systems. The junior range are constructed for smooth flow and no rapid cycling. Quiet, thermally protected and can run dry without damage.



Q006844



PEN4139111B87

Flow rate	Shut off pressure	Voltage	Fuse draw	PSI	Connections	Service	Dims l x w x h mm	Unit	No
2.0GPM	20psi/ 1.4bar	12V	3.5A	20psi switch	Threaded inlet & outlet	Ideal for up to 2 fixtures running intermittent duty	208x124x104	Retail packed	Q006844
2.0GPM	30psi/ 2.0bar	12V	3.5A	30psi switch	Threaded inlet & outlet	Ideal for up to 2 fixtures running intermittent duty	208x124x104	Retail packed	PEN4128110E04
3.0GPM	30psi/ 2.0bar	12V	6.5A	30psi switch	Threaded inlet & outlet	Ideal for multiple fixtures running intermittent duty	208x124x104	Retail packed	PEN4139111B54
3.0GPM	45psi/ 3.1bar	12V	6.5A	5psi switch	Threaded inlet & outlet	Ideal for multiple fixtures running intermittent duty	208x124x104	Retail packed	PEN4139111B87
3.0GPM	30psi/ 2.0bar	24V	3.8A	30psi switch AFT	Threaded inlet & outlet	Ideal for multiple fixtures running intermittent duty	208x124x104	Retail packed	PEN4139131B54
3.0GPM	45psi/ 3.1bar	24V	3.8A	45psi switch	Threaded inlet & outlet	Ideal for multiple fixtures running intermittent duty	208x124x104	Retail packed	PEN4139131A87
3.0GPM	45psi/ 3.1bar	24V	3.8A	45psi switch AFT	Threaded inlet & outlet	Ideal for multiple fixtures running intermittent duty	208x124x104	Bulk packed	PEN4139131B87

Premium Accumulator Tank

Accumulator and pulsation dampening tank for water pressure systems. Premium solution for a maximum smoothness flow system. New, patent pending design for fully realising the dampening of vibrations/water hammering often experienced in the pipe work water pressure systems.

- ◆ Corrosion free
- ◆ Patent pending



Capacity	Dims w x d x h mm	No
0.85L (0.22 gal)	125x125x230	ALB0266022

SHURflo®

First in Fluid Innovation

Pre-Pressurised Accumulator Tanks

Reduce cycling pulsation and pressure spikes, increase the life of your pump - and even save battery power. Easily handles pressure requirements from 20psi to 125psi.



Capacity	PSI	Dims l x w x h mm	No
710ml	20-125psi	232x121x97	Q006867

Inlet Strainer 40 µm Mesh

Protect your pump to ensure long service life and optimal performance. Inlet strainer 40 µm-mesh with universal quick connect for WPS/WD pump inlets.

- ◆ Easily removable cover for regular maintenance



Strainer mesh	Connections	No
40 µm	Quick connections for Albin Pump Marine WPS / WD pumps	ALB0299023



Pump Fresh Shurflo Strainers Elbows & Switches

Designed for safety and convenience, SHURFLO accessories are built to last. Big protection from small, yet essential, products.



Q006699
Q006855



Q006866



Q032260

Description	Inlet barb	Outlet NPT hex wing nut	No
Twist-on strainer - packed	1/2"	1/2"	Q006699
Twist-on strainer	1/2"	1/2"	Q006855

Description	Inlet barb	Outlet NPT hex wing nut	No
Twist-on strainer	1/2"	1/2"	Q006866
Swivel nut water strainer	1/2"	1/2"	Q032260

Description	Barb	Connection	No
Straight fitting	1/2"	1/2" - 14 NPT	Q006728
Elbow fitting	1/2"	1/2" - 14 NPT	Q006729



Q006728



Q006729



Aquaflow Tanks

- ◆ The ingeniously designed Aquaflow Tanks
- ◆ Moulded in tough, dark blue anti-algae shatterproof polyethylene
- ◆ Supplied with threaded blanks fitted
- ◆ Can be used in any position, even upside-down and provides an inlet, an outlet, provision for a draincock and vent in the right place
- ◆ Made from food grade approved polymer



Q007708



Q007715

Capacity	Inlet dims BSP	Outlet dims BSP	Dims cm	No
34L (7.50 gal)	1¼-1½" stepped	¾"	23x33x48	Q007715
45L (10 gal)	1¼-1½" stepped	¾"	23x46x48	Q007708
Tank Plug				
¾" BSP				Q007713





Aquaflow Tank Fittings



Q007710



Q007711



Q007764

Description	Barb	Thread BSP	No
Hose connector straight adaptor	1/2"	3/8"	Q007710
Hose connector right angle adaptor	1/2"	3/8"	Q007711
Y connector	3/8"	-	Q007764



Clear Funnel

- ◆ Funnel made of fracture-proof polyethylene (HD-PE)
- ◆ Resistant to acids, alkalis and other chemicals
- ◆ Rubber seal and venting ribs at funnel end
- ◆ Resistant to temperature: -20°C to +70°C



Description	Dims d x h x w mm	No
Opening with eyelet	120x145.5x120	HUN950500
Opening with eyelet	140x166.8x140	HUN950600





Water Jerry Can

- ◆ Water jerry can made from fracture-proof polyethylene (HD-PE)
- ◆ Natural-coloured
- ◆ Space-saving and stackable Resistant to greases, resins, alkalis, oils and acids Food-Safe
- ◆ Resistant to temperature: -20° to +70°
- ◆ Gripping surface on the base for secure handling



Capacity	Type	Spout	Inside diameter fillings mm	Outside thread diameter mm	Dims d x h x w mm	No
12L	Profi water	Removable	48	65	165x310x350	HUN816500
22L	Profi water	Removable	48	65	165x495x350	HUN816700
12L	Eco water	Flexi	29	38	160 x 331.5 x 290	HUN817400
22L	Eco water	Flexi	29	38	190 x 440 x 370	HUN817600



Elsil Water Purification

- ◆ Always add Elsil to your water to keep it fresh, wholesome and safe to drink
- ◆ Elsil is unique because it is effective against all micro-organisms, yet contains no chlorine, after taste or odour
- ◆ It is ideal for caravanning, camping, sailing, trekking or wherever mains or bottled drinking water is unavailable
- ◆ When you uplift fresh water, add Elsil at 1 part in 10,000 to protect the water from organic growth



Volume	Unit	No
100ml Dispenser	Pack of 12	ELS100AP

Star brite

Aqua Water Treatment and Freshener

- ◆ Maintains perfect drinking water quality in boats
- ◆ Prevents foul tasting or smelling potable water
- ◆ Can be used as often as needed to ensure quality of bathing and drinking water and ice
- ◆ 28ml treats 76L
- ◆ Prevents water from taking on chlorine, sulphur, plastic or metal odour or taste



Description	Volume ml	No
Treatment & Freshener	237	SB97008
Treatment & Freshener	500	SB97016

Star brite

Aqua Water Shock

- ◆ Instantly removes bad taste or smells from boat or RV's potable water
- ◆ Ideal for use after seasonal storage to "freshen" water tanks
- ◆ Removes chlorine, sulphur, plastic or metal odour and taste
- ◆ Provides long-lasting effect, even in extreme temperatures
- ◆ 28ml treats 36L
- ◆ NOTE: to maintain water quality year-round, use Star brite Aqua Water Treatment & Freshener



Description	Volume ml	No
Aqua Water Shock	500	SB97116



AquaSol

- ◆ Purifies water for drinking and eliminates tastes and odours
- ◆ Destroys pathogenic bacteria, viruses, spores, algae, biofilm, fungi and cysts
- ◆ Eliminates by oxidizing all tastes and odours caused by bacteria, metals, plastics and phenol leached into the water
- ◆ Non-corrosive, will not harm water system components
- ◆ Add one capful to every 25L of water when filling tank



Volume	1 pack treats	Unit	No
300ml	750L	Pack of 6	Q016999



Aqua Tabs - midi & mega

- ◆ Rapid dissolving effervescent tablets for treating stored water
- ◆ Tablets are foil wrapped to remain stable for 5 years or more
- ◆ The formulation contains dichloroisocyanurate, an organic chlorine donor with superior disinfection capacity
- ◆ Manufactured to strict specifications to ensure an accurate dose
- ◆ Convenient, simple to use method of purifying stored water
- ◆ Kills bacteria, spores, cysts, algae, fungi, protozoa and viruses, and are especially lethal to Entamoeba histolytica. Causative water borne organisms, amongst others, are killed by Midi Tabs these are: Salmonella typhi, Vibria cholera, Shigella sonnei, Sterptococcus faecallis, Estcherichia coli
- ◆ Specifically formulated for maximum microbiological control in stored water, and will keep the water fresh. The water tank and system or container and filling hose should be periodically cleaned and purified with Puriclean

Description	1 tab treats	Unit	No
Mini	25L	12 packs of 32	Q006990
Mega	225L	6 packs of 18	Q016996



Puiclean

- ◆ Cleans and purifies all stored water systems in boats, caravans, motor homes and coaches Unique dual purpose formula which both cleans and sterilises in one easy action
- ◆ Cleans the complete water system: tank, pipes, pumps and taps
- ◆ Eradicates bacteria, viruses, biofilm, algae and fungi
- ◆ For maximum results, simply soak and flush
- ◆ Powerful action without harming the components in the water system Proven in use worldwide for 3 decades
- ◆ Puriclean is easy to use, it is simply added to the water system and left to soak for 1 to 12 hours then rinsed. Periodic use will ensure a clean healthy system for water storage
- ◆ Puriclean can be used in ALL water systems including those with stainless steel water boilers/ calorifiers

Pack weight	1 pack treats	Unit	No
100g	90L	Pack of 12	Q006987
400g	270L	Pack of 6	Q006989





Fresh Water Tank Clean

- ◆ Enables periodic cleaning of your freshwater system
- ◆ Attacking algae and bacteria in your water tank or carrier, particularly useful after winter storage
- ◆ Also removes unwanted calcium build-up and other deposits from storage tanks and pipe work
Regular use helps keep your water system free from micro-organisms
- ◆ Tank clean contains no chlorine so has none of the associated smell or risk



Description	Volume	No
Tank Clean	1L	ELWATE01

Star brite

Aqua Water Tank Flush

- ◆ Cleans and deodorizes fresh water holding tanks and supply systems
- ◆ Excellent for use after storage or winterisation to completely flush system
- ◆ Use periodically to prevent foul taste and odours
One gallon treats 100 gallons of tank capacity



Description	Volume	No
Aqua Water Tank Flush	3.79L	SB32300



Small Mixer Tap

- ◆ Compact mixer tap with clear acrylic tap control knobs



Description	No
Small Mixer Tap	P39463

Mixer Tap With Shower Head

- ◆ Fixed tap style design with pull out shower head
Base and shower head in chromed brass



Dims	mm	Hose length	Weight	No
		m	kg	
Lever diameter: 40		1.5	1.7	P39468
Length: 110				
Shower: 160				
Protrusion: 175				

Classic EVO shower box with Mizar push-button shower

- ◆ For use on deck
- ◆ White UV resistant snap top ASA compartment houses shower head and hose when not in use
- ◆ Chromed brass shower head with push button flow operation



Dims	Hose length	Hose type	No
mm	m		
70mm Ø requiring 44mm recess Overall Ø 95mm	2.5	White braided PVC	Q033223

Classic EVO mixer tap in compartment

- ◆ For use on deck
- ◆ White UV resistant snap top ASA compartment houses a mixer tap
- ◆ Chromed brasstap with ceramic mixer for hot and cold water
- ◆ Hot and cold in - mixed water out



Dims	Hose type	No
mm		
70mm Ø requiring 44mm recess Overall Ø 95mm	Braided SS hose with male threaded tails	Q033224

Shower Kit Flush Mount with 2.5m hose

- ◆ Designed for bathing platforms
- ◆ The hose is concealed under the mounting surface
- ◆ Shower head recesses into the housing when not in use
- ◆ Trigger operation for water economy



Dims mm	Hose length m	Hose type	No
Recess 54mm Overall Ø 84mm	2.5	Net PVC	Q047702

Shower Kit Standard Mount with 2.5m Hose

- ◆ For use in toilet compartments or on deck bathing platform
- ◆ The hose is concealed under the mounting surface
- ◆ Trigger operation for water economy



Hose length m	Hose type	No
2.5	Net PVC	Q047701

Rectangular Stainless Steel Sink

- ◆ Supplied with plug
- ◆ Mirror finish



Inner dims mm	Outer dims mm	Depth m	No
238x300	260x325	150	TRZ0830238

Crew Cab Sink

- ◆ Stainless steel wall mounted 'tip-up' sink
- ◆ Ideal for utility applications and crew areas
- ◆ Folds up against the wall
- ◆ Fitted with a stainless steel tap
- ◆ Incredibly sturdy
- ◆ Includes soap tray

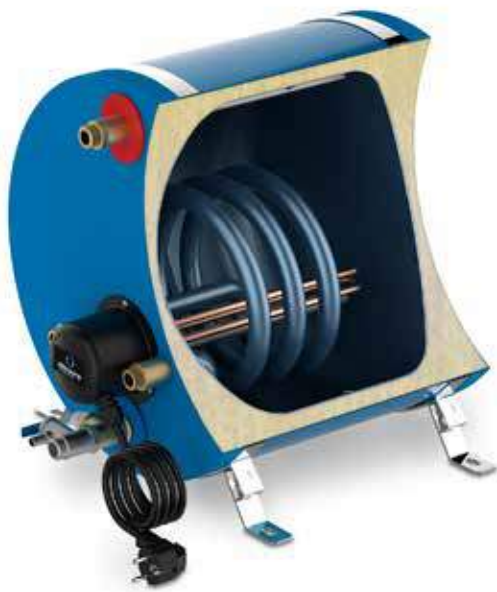


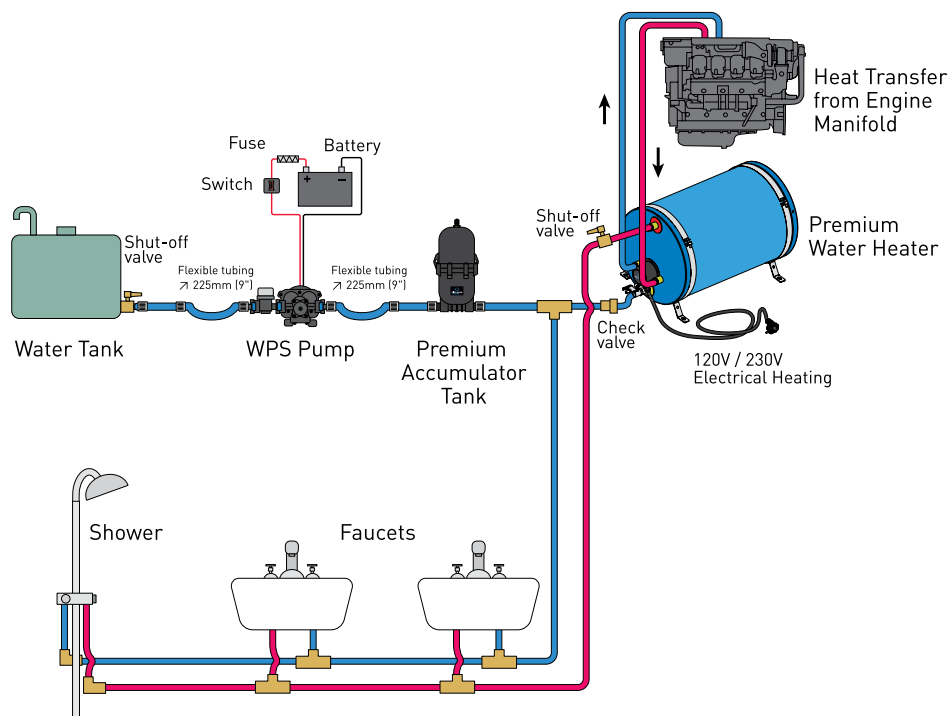
Dims mm	Depth when closed mm	Depth when open mm	No
375x320	145	345	Q033199

Premium Water Heater

The Albin Pump Marine Premium water heaters and square models have a toxic free ceramic inside coating to ensure highest water quality over time. Dual heating as standard - electrical heating and indirect heating based on an second heat source, for example based on the cooling system from the marine engine or generator set.

- ◆ Interchangeable with common brands such as Webasto/Isotemp
- ◆ Doubly enameled steel tank with aluminium outer coating
- ◆ Enameled iron heat exchanger for indirect heating from e.g. engine cooling water
- ◆ Incoloy corrosion-resistant alloy elements for electrical heating Heat loss 1°C (1.8°F) / hour over 24 hours
- ◆ Flexible mounting brackets, thermostat and drain valve are included
- ◆ Designed for continuous use onboard vessels in demanding environments
- ◆ 120V Rectangular model comes with heat exchanger for coupling to inboard engines





Premium Cylinder Water Heater

Power	Capacity	Voltage	Fuse size	Connections	Dims l x w x h mm	Weight empty kg	No
850W	22L (5.8 gal) Heats up 22L (5.8 gal) in 1h, good for 35L of mixed warm water or a 3.5 minute shower	230V	3.7A	Fixed port connections BSP 1/2"	423.5x390x404	11	ALB0801001
850W	30L (7.9 gal) Heats up 30L (8 gal) in 1.5h, good for 45L of mixed warm water or a 4.5 minute shower	230V	3.7A	Fixed port connections BSP 1/2"	503.5x390x404	12	ALB0801002
850W	45L (11.9 gal) Heats up 45L (12 gal) in 2h, good for 65L of mixed warm water or a 6.5 minute shower	230V	3.7A	Fixed port connections BSP 1/2"	663.5x390x404	14	ALB0801003
850W	60L (15.8 gal) Heats up 60L (16 gal) in 4h, good for 90L of mixed warm water or a 9 minute shower	230V	3.7A	Fixed port connections BSP 1/2"	823.5x390x404	16	ALB0801004
800W	22L (5.8 gal) Heats up 22L (5.8 gal) in 1h, good for 35L of mixed warm water or a 3.5 minute shower	120V	3.7A	Fixed port connections BSP 1/2"	423.5x390x404	11	ALB0801024
800W	30L (7.9 gal) Heats up 30L (8 gal) in 1.5h, good for 45L of mixed warm water or a 4.5 minute shower	120V	3.7A	Fixed port connections BSP 1/2"	503.5x390x404	12	ALB0801025
800W	45L (11.9 gal) Heats up 45L (12 gal) in 2h, good for 65L of mixed warm water or a 6.5 minute shower	120V	3.7A	Fixed port connections BSP 1/2"	663.5x390x404	14	ALB0801026
800W	60L (15.8 gal) Heats up 60L (16 gal) in 4h, good for 90L of mixed warm water or a 9 minute shower	120V	3.7A	Fixed port connections BSP 1/2"	823.5x390x404	16	ALB0801027

Premium Rectangular Water Heater

Power	Capacity	Voltage	Fuse size	Connections	Dims l x w x h mm	Weight empty kg	No
850W	20 L (5.3 gal) Heats up 20L (5.6 gal) in 45min, good for 30L of mixed warm water or a 3 minute shower	230V	3.7A	Fixed port connections BSP 1/2"	536x190x420	12.5	ALB0801005
800W	20 L (5.3 gal) Heats up 20L (5.6 gal) in 45min, good for 30L of mixed warm water or a 3 minute shower	120V with heat exchanger	3.7A	Fixed port connections BSP 1/2"	536x190x420	12.5	ALB0801028

Premium Square Water Heater and Premium Electric Square Water Heater

The Albin Pump Marine Premium water heaters and square models have a toxic free ceramic inside coating to ensure highest water quality over time. Electrical heating only.

- ◆ Interchangeable with common brands such as Webasto/Isotemp
- ◆ Doubly enamelled steel tank with aluminium outer coating
- ◆ Electric heating only 230V or 120V, for outboard boats or boats with genset, requires power AC 230V
- ◆ ncoloy corrosion-resistant alloy elements for electrical heating
- ◆ Heat loss 1°C (1.8°F)/hour over 24 hours
- ◆ Flexible mounting brackets, thermostat and drain valve are included
- ◆ Includes heat exchanger for coupling to inboard engines



Power	Capacity	Voltage	Fuse size	Connections	Dims l x w x h mm	Weight empty kg	No
850W	20L (5.3 gal). Heats up 22L (5.8 gal) in 45min, good for 30L of mixed warm water or a 3 minute shower. Keeps heated water warm for a duration >10h when not connected to shore power	230V with heat exchanger	3.7A	Fixed port connections BSP ½"	493x320x320	11	ALB0803032
850W	22L (5.8 gal). Heats up 22L (5.8 gal) in 45min, good for 30L of mixed warm water or a 3 minute shower	230V with heat exchanger	3.7A	Fixed port connections BSP ½"	493x320x320	11	ALB0801032
800W	20L (5.3 gal). Heats up 22L (5.8 gal) in 45min, good for 30L of mixed warm water or a 3 minute shower. Keeps heated water warm for a duration >10h when not connected to shore power	120V with heat exchanger	3.7A	Fixed port connections BSP ½"	493x320x320	11	ALB0803030
800W	22L (5.8 gal). Heats up 22L (5.8 gal) in 45min, good for 30L of mixed warm water or a 3 minute shower	120V with heat exchanger	3.7A	Fixed port connections BSP ½"	493x320x320	11	ALB0801030

Stainless Steel Water Heater

The Albin Pump Marine Stainless Steel water heaters have a stainless steel AISI 316 tank, anti-corrosion treatment with pickling and passivation. Dual heating as standard - electrical heating and indirect heating based on an second heat source, for example based on the cooling system from the marine engine or generator set.

- ◆ Interchangeable with common brands such as Webasto/Isotemp
- ◆ Enamelled iron heat exchanger for indirect heating from e.g. engine cooling water
- ◆ Incoloy corrosion-resistant alloy elements for electrical heating
- ◆ Heat loss 1°C (1.8 °F)/hour over 24 hours
- ◆ Flexible mounting brackets, thermostat and drain valve are included
- ◆ Designed for continuous use onboard vessels in demanding environments



ALB0801006



ALB0801007



ALB0801008



ALB0801009



ALB0801010

Power	Capacity	Voltage	Fuse size	Connections	Dims l x w x h mm	Weight empty kg	No
850W	22L (5.8 gal). Heats up 22L (5.8 gal) in 1h, good for 35L of mixed warm water or a 3.5 minute shower	230V	3.7A	Fixed port connections BSP ½"	439.5x390x404	11	ALB0802006
850W	30L (7.9 gal). Heats up 30L (8 gal) in 1.5h, good for 45L of mixed warm water or a 4.5 minute shower	230V	3.7A	Fixed port connections BSP ½"	503.5x390x404	12	ALB0802007
850W	45L (11.9 gal). Heats up 45L (12 gal) in 2h, good for 65L of mixed warm water or a 6.5 minute shower	230V	3.7A	Fixed port connections BSP ½"	689x390x404	14	ALB0802008
850W	60L (15.8 gal). Heats up 60L (16 gal) in 4h, good for 90L of mixed warm water or a 9 minute shower	230V	3.7A	Fixed port connections BSP ½"	849x390x404	16	ALB0802009
850W	80L (21.2 gal). Heats up 80L (21.2 gal) in 5h, good for 120L of mixed warm water or a 15 minute shower	230V	3.7A	Fixed port connections BSP ½"	1009x390x404	20	ALB0802010



Premium Water Heater Mixer Kit

Premium mixer kit, safe distribution of mixed warm water at exact temperatures.

- ◆ Allows you to not waste any hot water which saves water and energy
- ◆ Kit includes: 1/2" washer, steel hose, 1/2" T connector, thermostatic water heater, brass extension



Description	No
Premium Water Heater Mixer Kit	ALB0866011

Hose Connection Kit and Pressure Release Valve

Safely releases excess pressure and also for draining the water heater.



Description	No
Hose Connection Kit	ALB0866012
Pressure Release Valve	ALB0899013

Drain Valve

To simplify the drain down of water heater.

- ◆ To avoid freezing or to preserve the water heater out of season
- ◆ For Albin water heaters



Description	No
Drain Valve	ALB0899014

Heater Element

Heater elements that fit all Albin Pump Marine water heaters.

- ◆ As a kit, the defroster includes a high quality adjustable fan, a four step blower of high capacity, wiring harness and control panel



ALB0899015



ALB0899016



ALB0899017



ALB0899018



ALB0899019



ALB0899020



Type	Voltage	Shorepower fuse size required	No
550W	230V	4A	ALB0899015
850W	230V	5A	ALB0899016
1250W	230V	10A	ALB0899017
500W	120V	5A	ALB0899018
800W	120V	10A	ALB0899019
1200W	120V	15A	ALB0899020

Thermostat



ALB0899021

Description	No
Adjustable 40°-80°C (104°-176° F)	ALB0899021

Anodes



ALB0899023

ALB0899022

Description	Size of premium water heaters	No
Premium Anode Short	20-30L (5.3-7.9 gal)	ALB0899022
Premium Anode Long	45-60L (11.9-15.8 gal)	ALB0899023

Nautic Boiler B3

- ◆ Quick Nautic Boiler B3
- ◆ Casing in composite material
- ◆ Heat exchanger with a large exchange surface, a high capacity and constructed in AISI 316L stainless steel
- ◆ The electric element that is fitted with an adjustable safety thermostat and is made of Incoloy®
- ◆ Relief/non-return valve that allows discharging of the water heater for lay-up
- ◆ The tank is made of 1.5mm gauge AISI 316 stainless steel and highly resistant to corrosive agents
- ◆ The thermal insulation is high density polyurethane foam injected between the cover and tank giving excellent heat retention properties



Power	Capacity	Voltage	Dims Ø x l mm	Weight kg	No
500W	15L	220V	300x405	7	QKB31505S
1200W	15L	220V	300x405	7	QKB31512S
500W	20L	220V	300x500	8.1	QKB32005S
1200W	20L	220V	300x500	8.1	QKB32012S
500W	25L	220V	300x605	8.5	QKB32505S
1200W	25L	220V	300x605	8.5	QKB32512S
500W	30L	220V	360x495	10.5	QKB33005S
1200W	30L	220V	360x495	10.5	QKB33012S
500W	40L	220V	360x620	11.7	QKB34005S
1200W	40L	220V	360x620	11.7	QKB34012S
500W	60L	220V	400x721	14.6	QKB36005S
1200W	60L	220V	400x721	14.6	QKB36012S
1200W	80L	220V	400x921	17.8	QKB38012S

Nautic Boiler BX

- ◆ Casing in 304 AISI stainless steel
- ◆ Heat exchanger with a large exchange surface, a high capacity and constructed in 1.5mm AISI 316L S/S
- ◆ The electric element is fitted with an adjustable safety thermostat and is made of Incoloy[®]
- ◆ Relief/non-return valve that allows discharging of the water heater for lay-up
- ◆ Temperature control panel
- ◆ Adjustable levelling feet



Power	Capacity	Voltage	Dims Ø x l mm	Weight	kg	No
500W	15L	220V	300x405		9.5	QKBX1505S
1200W	15L	220V	300x405		9.5	QKBX1512S
500W	20L	220V	300x500		10.9	QKBX2005S
1200W	20L	220V	300x500		10.9	QKBX2012S
500W	25L	220V	300x605		12.3	QKBX2505S
500W	30L	220V	360x495		12.6	QKBX3005S
1200W	30L	220V	360x495		12.6	QKBX3012S
500W	40L	220V	360x620		14.7	QKBX4005S
1200W	40L	220V	360x620		14.7	QKBX4012S
1200W	50L	220V	400x610		17	QKBX5012S
1200W	60L	220V	400x715		19	QKBX6012S
1200W	80L	220V	400x905		22.7	QKBX8012S
1200W	100L	220V	400x1105		26.4	QKBX10012S



Nautic Water Boilers

- ◆ Produces hot water from the electric element, which is fitted with an adjustable safety bi-thermostat
- ◆ Heat exchanger with wide exchange surface
- ◆ High quality materials
- ◆ Relief/non-return valve that allows discharging of the water heater in case of disuse

BX 16 - Rectangular with heat exchanger



Power	Capacity	Voltage	Dims l x h x w mm	Weight kg	No
500W	16L	220V	520x350x180	10.5	QKBX1605S
1200W	16L	220V	520x350x180	10.5	QKBX1612S

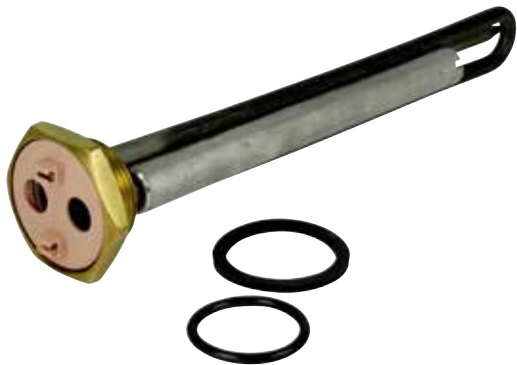
BXS 25 & 40 - Square



Power	Capacity	Voltage	Dims l x h x w mm	Weight kg	No
500W	25L	220V	480x320x320	13.5	QKBXS2505S
1200W	25L	220V	480x320x320	13.5	QKBXS2512S
500W	40L	220V	560x380x380	17	QKBXS4005S
1200W	40L	220V	560x380x380	17	QKBXS4012S



Nautic Boiler Accessories



- QKOSPKIT120**
- 1200W/230V
 - Element 268mm long
 - Includes anode and sealing rings



- QKFVSLRSB12110A00**
- 1200W/110V
 - Element 268mm long
 - Includes anode and sealing rings



- QKFVSLTB152700A00**
- 15A thermostat
 - Probe 270mm long
 - Clips on to front of element



- QKFVSLANMG18200A00**
- Anode 200mm long
 - Thread screws on to back of element



- QKOSPKITVALVE**
- Relief/non return valve
 - With drain down tube
 - 1/2" thread



- QKKMXKIT**
- Thermostatic mixing kit
 - For models BX16, BXS25/40, BX 15/20/25/26/30/40/41/50/60/80

Sigmar Boiler Accessories



- QKFLKMT1500300A00**
- Adjustable thermostatic mixing valve
 - For Sigmar water heaters

- QKFVSLRSB0822SA00**
- 800W/230V Sigmar element
- QKFVSLRSB0811SA00**
- 800W/110V Sigmar element



- QKEVR20MNBK00**
- Mono BK electric element kit 2000W

Marine Defroster

Albin Pump Marine defrosters include a heavy duty heating unit and high quality electrical components shielded by a stainless steel cover for long service life. For connection to engines with fresh water cooling system. Available as complete kits and stand-alone heating units.

Marine Defroster 2kW Kit

- ◆ Marine defroster/heater with 2kW heater coil, axial fan, protection inlet grid and outlet design grid
- ◆ Kit includes: 5m (16ft) wiring harness and on/off control panel



Heating capacity	Max. rated air flow	Voltage	Fuse size	Water connections	Dims w x h x d mm	Weight kg	No
2kW	80m ³ /h	12V	3A	16mm (5/8") copper pipes with DIN 71550 bead Max. water pressure: 2.5bar (36psi)	218x185x97	2	ALB0901001
2kW	80m ³ /h	24V	2A	16mm (5/8") copper pipes with DIN 71550 bead Max. water pressure: 2.5bar (36psi)	218x185x97	2	ALB0901002

2kW Control Panel

Type	Voltage	Description	Dims l x w mm	No
2kW	12V	Illuminated on/off control panel	66x66	ALB0966015
2kW	24V	Illuminated on/off control panel	66x66	ALB0966016



Marine Defroster 4kW Kit

- ◆ As a kit, the defroster includes a high quality adjustable fan, a four step blower of high capacity, wiring harness and control panel
- ◆ Marine defroster/heater with 4kW heater coil and double radial blowers



Heating capacity	Max. rated air flow	Voltage	Fuse size	Water connections	Dims w x h x d mm	Weight kg	No
4kW	200m ³ /h	12V	5A	16mm (5/8") copper pipes with DIN 71550 bead Max. water pressure: 2.5bar (36psi)	322x180x118	4	ALB0901003
4kW	200m ³ /h	24V	7.5 A	16mm (5/8") copper pipes with DIN 71550 bead Max. water pressure: 2.5bar (36psi)	322x180x118	4	ALB0901004

Marine Defroster 4kW

- ◆ Marine defroster/heater with 4kW heater coil and double radial blowers



Heating capacity	Max. rated air flow	Voltage	Fuse size	Water connections	Dims w x h x d mm	Weight kg	No
4kW	200m ³ /h	12V	5A	16mm (5/8") copper pipes with DIN 71550 bead Max. water pressure: 2.5bar (36psi)	322x180x118	4	ALB0901009
4kW	200m ³ /h	24V	7.5 A	16mm (5/8") copper pipes with DIN 71550 bead Max. water pressure: 2.5bar (36psi)	322x180x118	4	ALB0901010

4kW Control Panel



Type	Voltage	Description	Dims l x w mm	No
4kW, 9kW, 12kW	12/24V	4-step control panel for 4kW, 9kW and 12kW defroster / heater	66x66	ALB0966017

Premium Marine Defroster

Albin Pump Marine defrosters include a heavy duty heating unit and high quality electrical components shielded by a stainless steel cover for long service life. For connection to engines with fresh water cooling system. Available as complete kits and stand-alone heating units.

Premium Marine Defroster 9kW Kit

- ◆ Marine defroster/heater with 9kW heater coil and double radial blowers
- ◆ Kit includes: 5m (16ft) wiring harness, 4-step control panel and hose adapters



Heating capacity	Max. rated air flow	Voltage	Fuse size	Water connections	Dims w x h x d mm	Weight kg	No
9kW	350m ³ /h	12V	15A	16mm (5/8") copper pipes with DIN 71550 bead Max. water pressure: 2.5bar (36psi)	322x180x118	5.5	ALB0902011
9kW	350m ³ /h	24V	10A	16mm (5/8") copper pipes with DIN 71550 bead Max. water pressure: 2.5bar (36psi)	322x180x118	5.5	ALB0902012

Premium Marine Defroster 9kW

- ◆ Marine defroster/heater with 9kW heater coil and double radial blowers



Heating capacity	Max. rated air flow	Voltage	Fuse size	Water connections	Dims w x h x d mm	Weight kg	No
9kW	350m ³ /h	12V	15A	16mm (5/8") copper pipes with DIN 71550 bead Max. water pressure: 2.5bar (36psi)	322x180x118	5.5	ALB0902005
9kW	350m ³ /h	24V	10A	16mm (5/8") copper pipes with DIN 71550 bead Max. water pressure: 2.5bar (36psi)	322x180x118	5.5	ALB0902006

Premium Marine Defroster 12kW Kit

- ◆ Marine defroster/heater with 12kW heater coil and double radial blowers
- ◆ Kit includes: 5m (16ft) wiring harness, 4-step control panel and hose adapters



Heating capacity	Max. rated air flow	Voltage	Fuse size	Water connections	Dims w x h x d mm	Weight kg	No
12kW	680m ³ /h	12V	15A	16mm (5/8") copper pipes with DIN 71550 bead Max. water pressure: 2.5bar (36psi)	403x176x244	5.2	ALB0902013
12kW	680m ³ /h	24V	10A	16mm (5/8") copper pipes with DIN 71550 bead Max. water pressure: 2.5bar (36psi)	403x176x244	5.2	ALB0902014

Premium Marine Defroster 12kW

- ◆ Marine defroster/heater with 12kW heater coil and double radial blowers



Heating capacity	Max. rated air flow	Voltage	Fuse size	Water connections	Dims w x h x d mm	Weight kg	No
12kW	680m ³ /h	12V	15A	16mm (5/8") copper pipes with DIN 71550 bead Max. water pressure: 2.5bar (36psi)	403x176x244	5.2	ALB0902007
12kW	680m ³ /h	24V	10A	16mm (5/8") copper pipes with DIN 71550 bead Max. water pressure: 2.5bar (36psi)	403x176x244	5.2	ALB0902008

9kW & 12kW Control Panel

Type	Voltage	Description	Dims l x w mm	No
4kW, 9kW, 12kW	12/24V	4-step control panel for 4kW, 9kW and 12kW defroster/heater	66x66	ALB0966017



Wash Down Pump

Albin Pump Marine WD300-Premium Series 3-chamber and WD500-Premium Series 5-chamber diaphragm wash down pumps for providing pressurised water on demand. Attach a spray nozzle for efficient deckwash or wash down duties!

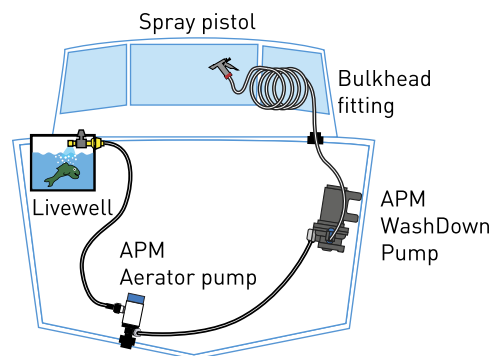
- ◆ Easy to install
- ◆ Integrated extra heavy duty sealed pressure switch
- ◆ Smooth & pulsation-free flow
- ◆ Quiet operation
- ◆ Self-priming 2m (6.5ft)
- ◆ Quick disconnect ports
- ◆ Connection with ½" hose
- ◆ Click-on 40µm-mesh strainer included
- ◆ Composite base mount for even quieter operation
- ◆ Manufactured according to CE standard
- ◆ EN55014-1 electromagnetic compatibility, ISO 88461-1 ignition protection. ISO 10133 design, construction and installation of DC systems in small craft (under approval)



ALB0204015



ALB0204016



Capacity	Pressure cutoff	Voltage	Fuse size	Quick connection	Dims l x w x h mm	No
5.2	5bar (70psi)	12V	20A	½"	250x130x115	ALB0204015
5.2	5bar (70psi)	24V	10A	½"	250x130x115	ALB0204016

Premium Accumulator Tank

Accumulator and pulsation dampering tank for water pressure systems. Premium solution for a maximum smoothness flow system. New, patent pending design for fully realising the dampening of vibrations/water hammering often experienced in the pipe work water pressure systems.

- ◆ Corrosion free
- ◆ Patent pending



Capacity	Dims w x d x h mm	No
0.85L (0.22 gal)	125x125x230	ALB0266022

Inlet Strainer 40 µm Mesh

Protect your pump to ensure long service life and optimal performance. Inlet strainer 40µm-mesh with universal quick connect for WPS/WD pump inlets.

- ◆ Easily removable cover for regular manitainance



Strainer mesh	Connections	No
40 µm	Quick connections for Albin Pump Marine WPS / WD pumps	ALB0299023

Pump Wash Down Pro Blaster II Ultimate

Marine fresh or salt water wash-down installation.

- ◆ May be used for general waste transfer



Voltage	GPM	Flow rate	Dims l x w x h mm	Pressure cutoff	No
12V	5.0	5GPM	254x127x120	60psi	Q033275

Pump Wash Down Pro Blaster II Washdown Kit

- ◆ Run dry capability
- ◆ Self priming
- ◆ Ignition protected
- ◆ Sealed switch
- ◆ Seamless motor shell w /electro-coat
- ◆ Thermally protected



Voltage	Flow rate GPM	Pressure cut off	No
12V/24V	Inc 4.0	60psi	Q033283

Wash Down quick connect fitting - flush fitting

- ◆ Engages and disengages under full pressure Mirror polished AISI 316 SS
- ◆ When the bayonet fitting connects the washing hose, the device automatically opens and activates the pump
- ◆ Stainless steel outlet with plastic bayonet fitting plug
- ◆ Plug features garden-type quick click on hose adaptor



Description	Thread inlet	Dims w x h mm	No
Outlet with bayonet fitting hose connector	1/2"	65x82	Q033233

Replacement bayonet fitting hose connector

- ◆ Replacement bayonet fitting hose connector for Q033233
- ◆ Can be used as a preplacement for Jabsco Q006830



Connection BSP	Bayonet BSP	Dims w x h mm	No
1/2" female	3/4"	45x88	Q033234

Classic EVO white quick connect water outlet

- ◆ Connects the onboard fresh water system or to the washdown salt water pump and it keeps the line under pressure
- ◆ The washing hose plugs in onto the inlet and automatically activates the pump
- ◆ UV resistant ABS box, chromed brass fitting



Description	Dims Ø mm	Recess dims mm	No
Quick connect water outlet	69	43	Q033225



Straight quick connector and hose connection

- ◆ Will connect and disconnect under full pressure
- ◆ Connect to wash down pump



Connection BSP	Bayonet BSP	Dims l x Ø mm	No
1/2" female	3/4"	83x73	Q006830



Bypass Connector

By-Pass connection for Manual Bilge Pump **ALB0101001/002**, or bulk packed **ALB0131045/046** (See Page 3).

- ◆ Allows for connecting both the manual pump with an electric submersible bilge pump* in- line, using the same hose and connectors
- ◆ Reduces the overall cost of a complete bilge pump system by facilitating the installation and reducing the material needed



Description	No
Bypass connector	ALB0191047

*Only to be used with submersible centrifugal type bilge pumps because the electric pump needs to act as strainer without blocking the water when operating the manual bilge pump



Non-Return Valve

In-line Non-Return Valve for a safe and reliable pump system.

- ◆ Prevents water from returning when pumping out
- ◆ Provides extra safety pumping water with debris or other waste with self priming diaphragm pumps



Barb	No
Stepped 1" - 1½"	ALB0191048



Non-Return Valve

Barb	No
Stepped ½" - ¾" - 1"	Q007789



Plumbing Fittings Non-Return Valves

- ◆ Manufactured from a high strength, UV stabilised glass reinforced nylon composite - high strength and lightweight
- ◆ Can be used in direct sunlight
- ◆ High impact and tensile strength
- ◆ Water-hammer safe and insensitive to pressure shocks in the pipeline
- ◆ Stainless spring - no corrosion issues or risk of internal valve staying open
- ◆ Low cracking pressure - minimal pressure required to open the valve with minimal restriction on flow rate
- ◆ In line fitting - minimal installation room needed and no other fittings required
- ◆ Printed white arrow (opposite logo side) - quick and easy identification of water flow direction



Thread BSP	Weight g	Temp. service °c	Temp. max °c	Pressure service	Pressure max	Cracking pressure	Recommended for flow rates between * L/min	Pressure loss @ max flow rate	Colour	No
3/4"	21	65	93	0-150psi	230psi	-0.41psi	15-42	3.8psi	Black	TRD90845R
1"	34	65	93	0-150psi	230psi	-0.29psi	25-79	3.8psi	Black	TRD90846R
1 1/8"	46	65	93	0-150psi	230psi	-0.29psi	25-79	3.8psi	Black	TRD90972R
1 1/4"	50	65	93	0-150psi	230psi	-0.26psi	32-117	2.8psi	Black	TRD90847R
1 1/2"	67	65	93	0-150psi	230psi	-0.23psi	61-193	2.3psi	Black	TRD90848R
2"	119	65	93	0-150psi	230psi	-0.22psi	87-322	2.9psi	Black	TRD90849R

*Choosing the right size valve for your application will reduce risks of wear, vibrations and noise. It is better to avoid using a valve either too small (leads to excessive velocity and wear) or too large (leads to vibration, noise and possibly premature wear of a non-return valve plunger that is never fully open).



Y, T & L Connectors

- ◆ Y, T & L hose connector made from fracture-proof and food-safe polyethylene (HD-PE)
- ◆ Sleeve connections for hoses
- ◆ Resistant to acids, alkalis and other chemicals
- ◆ Resistant to temperature: -20° to +70°



Size	mm	Height mm	Length mm	Connection area outside diameter mm	Colour	No
Y connector for 13mm pipe		62	59	13	Natural	HUN535400



Size	mm	Height mm	Length mm	Connection area outside diameter mm	Colour	No
T-hose connector for 13mm pipe		40	79	13	Natural	HUN537200
T-hose connector For 19mm pipe		45	89	19	Natural	HUN537400

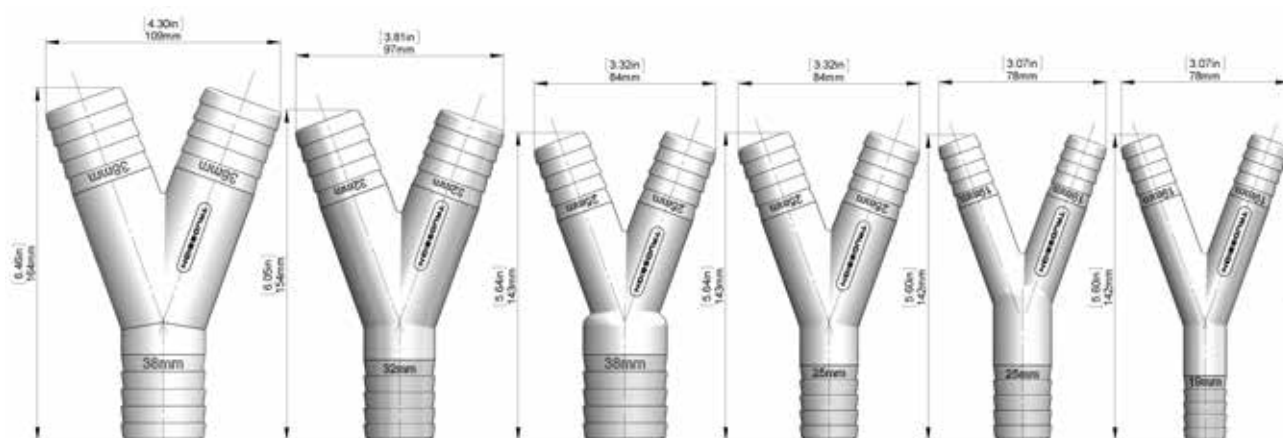


Size	mm	Length mm	Connection area outside diameter mm	Colour	No
L-hose connector for 13mm pipe		46	13	Natural	HUN539200
L-hose connector for 19mm pipe		54	19	Natural	HUN539300

Connectors

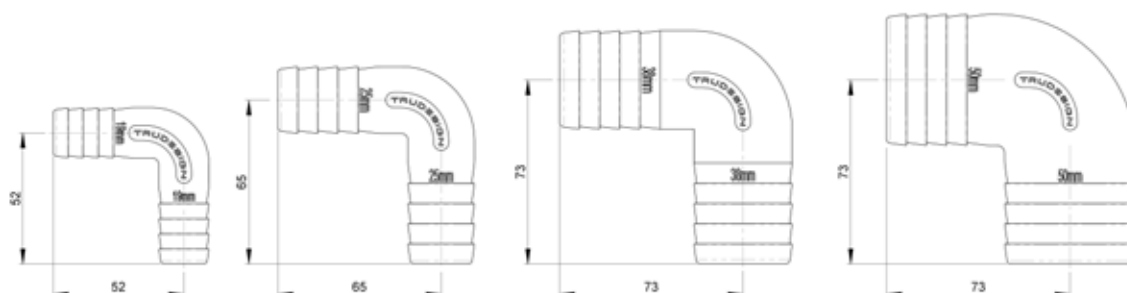
- ◆ Manufactured from a glass reinforced nylon composite - high strength and lightweight
- ◆ Immune to corrosion and electrolysis - long life with no concerns over decreased performance due to corrosion
- ◆ Chemical resistant - impervious to diesel, petrol and antifouling paints
- ◆ UV resistant - these fittings will not break down with ultraviolet light or discolour from the sun
- ◆ Large operating temperature range - suitable for all marine environments, from -40°C to +110°C
- ◆ Long tail feature - the use of 2 hose clamps is recommended for secure hose fitting
- ◆ Smooth flow - less blockages and buildup

Y Connectors



Barb to barb mm	Type	Weight g	Internal dia mm	Colour	No
19	Splitter	48	12	White	TRD90792R
19mm 19mm 25mm	Reducer	54	20	White	TRD90791R
25	Splitter	65	20	White	TRD90617R
25mm 25mm 38mm	Reducer	80	20	White	TRD90618R
32	Splitter	92	25	White	TRD90809R
38	Splitter	122	31	White	TRD90619R

90° Connectors



Barb to barb mm	Bend angle	Internal dia mm	Colour	No
19	90°	11	White	TRD90702R
25	90°	18	White	TRD90605R
38	90°	30	White	TRD90606R
50	90°	43	White	TRD90607R

Reduction hose connector

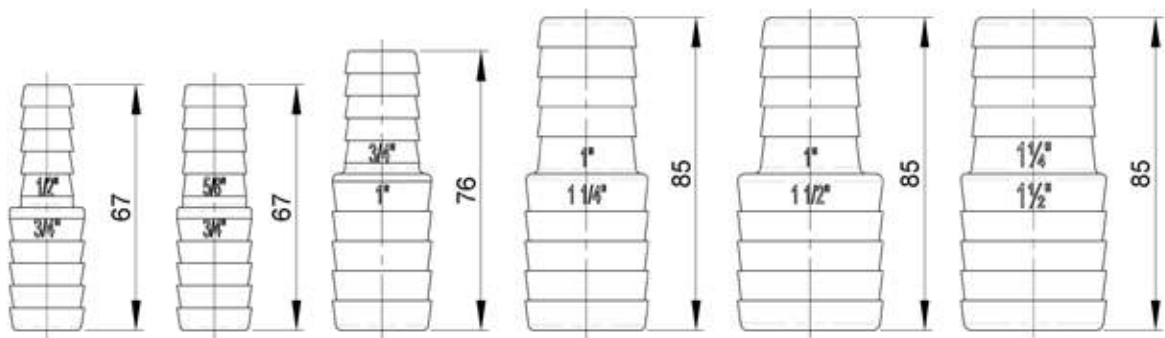
- ◆ Reduction hose connector made from fracture-proof and food-safe polyethylene (HD-PE)
- ◆ Sleeve connections for hoses
- ◆ Very resistant to acids, alkalis and other chemicals
- ◆ Resistant to temperature: -20° to +70°

Barb to barb mm	Length mm	Colour	No
19-13	74	Natural	HUN536500
13-10	66	Natural	HUN536600



Reducers

- ◆ Reducers are the superior composite connection for linking 2 hoses of different sizes
- ◆ High strength, high modulus glass fibres impregnated into the nylon provides dramatic strength, stiffness, toughness and dimensional stability
- ◆ Tru-Design reducers eliminate the corrosion and electrical bonding problems associated with metallic fittings
- ◆ The reducers are designed for twin hose clamps and to not crush under high load conditions



Barb to barb mm	Internal dia mm	Type	Colour	No
19-13	8	Unequal	White	TRD90611R
19-16	11	Unequal	White	TRD90612R
25-13	8	Unequal	White	TRD90803R
25-19	13	Unequal	White	TRD90613R
32-25	19	Unequal	White	TRD90614R
38-25	19	Unequal	White	TRD90615R
38-32	25	Unequal	White	TRD90616R

Straight Hose Connector

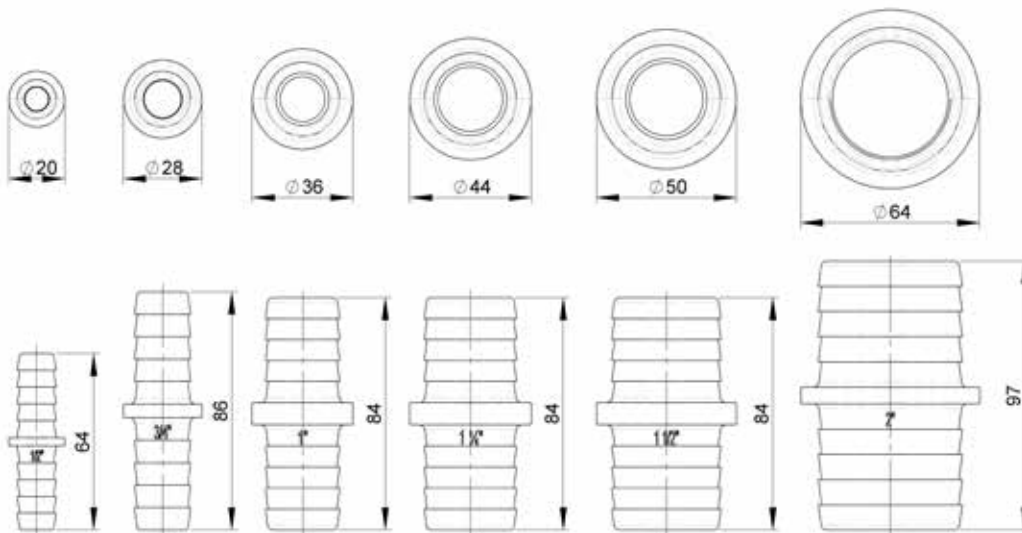
- ◆ Straight hose connector made from fracture-proof and food-safe polyethylene (HD-PE)
- ◆ Sleeve connections for hoses
- ◆ Very resistant to acids, alkalis and other chemicals
- ◆ Resistant to temperature: -20° to +70°

Type	Length mm	Connection area outside diameter mm	Colour	No
Equal	74	13	Natural	HUN536200
Equal	74	19	Natural	HUN536300
Equal	84	25	Natural	HUN536400



Straight Hose Connector

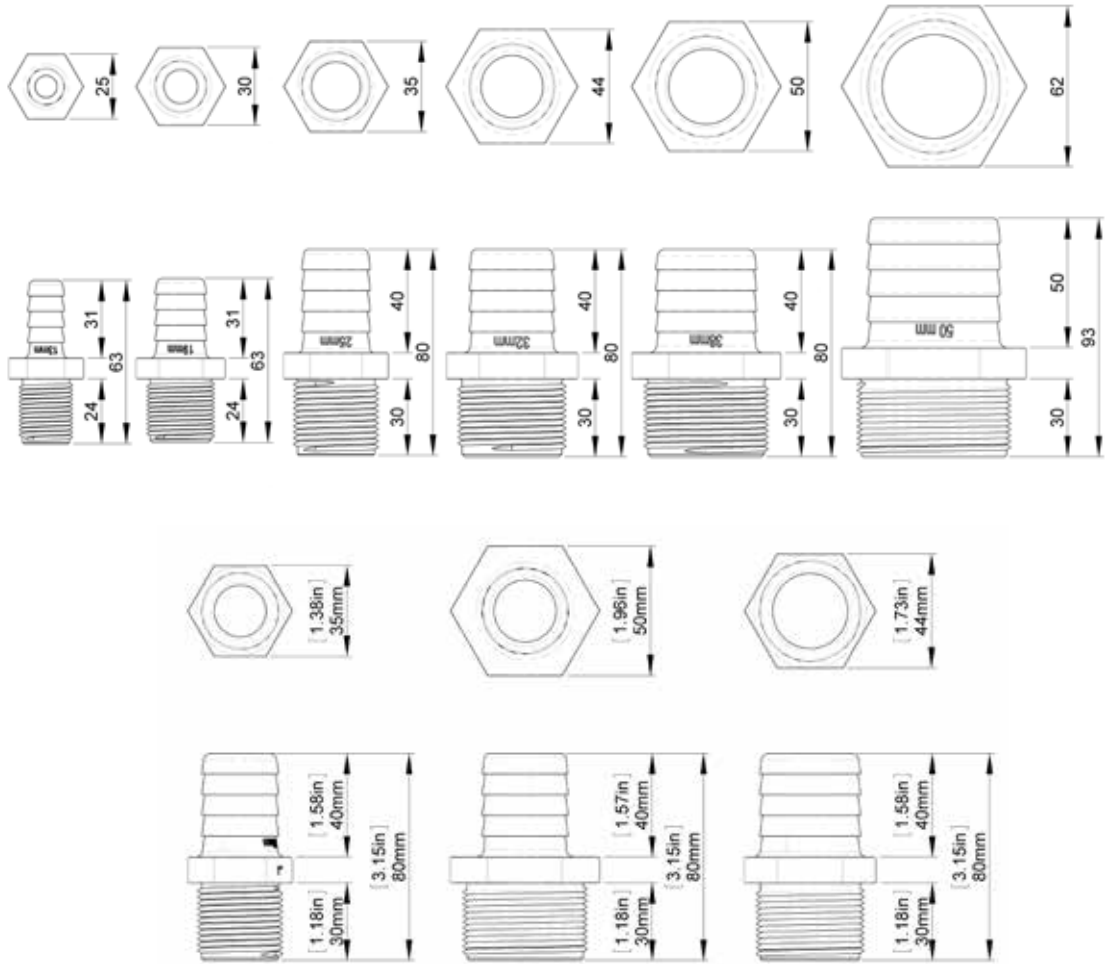
- ◆ Connectors are the superior composite connection for linking 2 hoses.



Barb to barb mm	Internal dia mm	Type	Colour	No
13-13	9	Equal	Black	TRD90599R
19-19	13	Equal	Black	TRD90600R
25-25	18	Equal	Black	TRD90601R
28-28	20	Equal	Black	TRD90949R
32-32	23	Equal	Black	TRD90602R
38-38	28	Equal	Black	TRD90603R
50-50	41	Equal	Black	TRD90604R

Straight Male Threaded Hosetails

Long thread tails are the superior composite connection for fitting hose to threaded fittings. Equal and unequal tails offer complete plumbing flexibility.

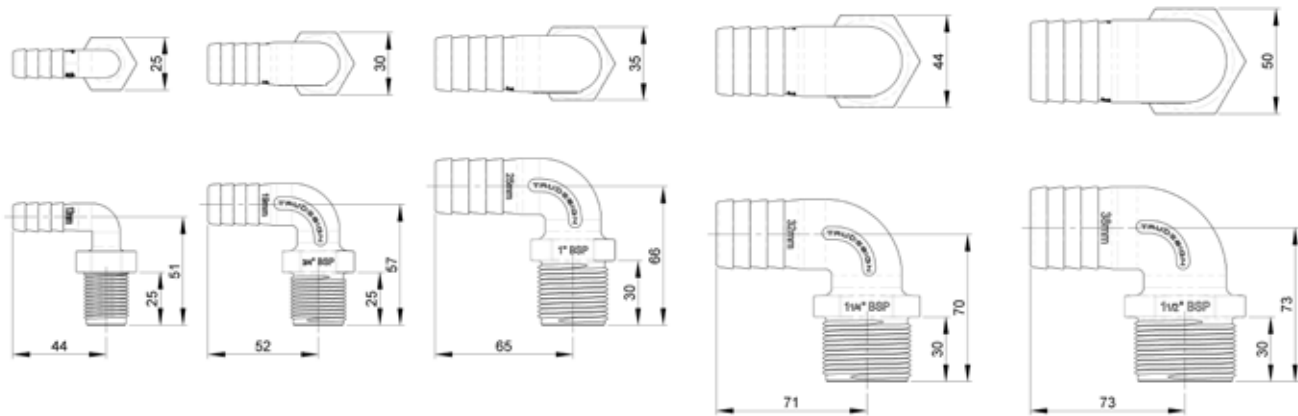


Barb to barb mm	Hosetail Barb mm	Internal dia mm	Thread length mm	Type	Colour	No
1/2"	13	9	24	Equal	Black	TRD90557R
3/4"	19	13	24	Equal	Black	TRD90558R
1"	25	19	30	Equal	Black	TRD90559R
1 1/4"	32	24	30	Equal	Black	TRD90560R
1 1/2"	38	29	30	Equal	Black	TRD90561R
2"	50	40	30	Equal	Black	TRD90562R
1/2"	16			Unequal	Black	TRD90876R
3/4"	22			Unequal	Black	TRD90880R
1"	28	20	30	Unequal	Black	TRD90641R
1 1/4"	38	29	30	Unequal	Black	TRD90564R
1 1/2"	32	24	30	Unequal	Black	TRD90563R



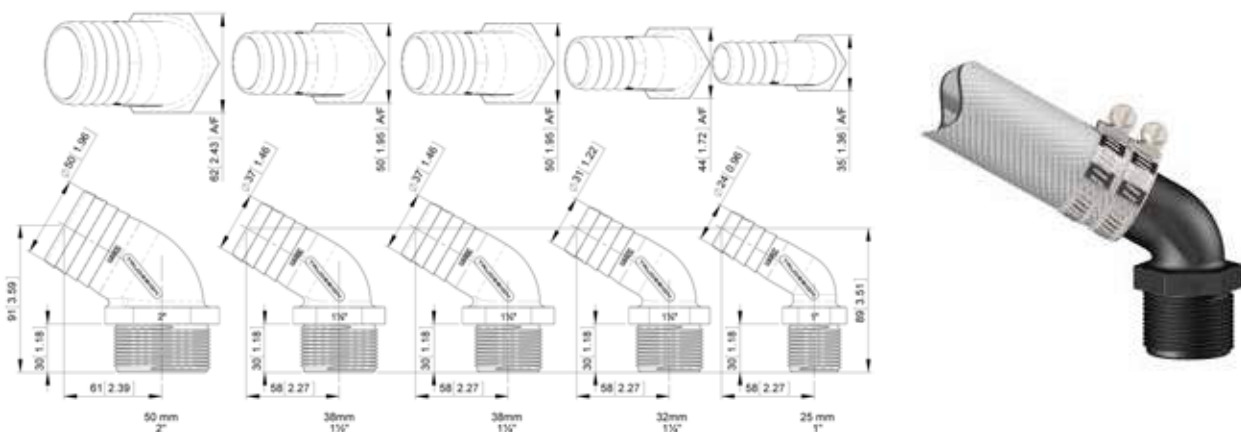
Male Threaded Elbows

Superior composite connection for fitting hose to threaded fittings.



90° Male Threaded Elbows

Barb to barb mm	Hosetail Barb mm	Internal dia mm	Thread length mm	Bend angle	Type	Colour	No
1/2"	13	8	25	90°	Equal	Black	TRD90565R
3/4"	19	13	25	90°	Equal	Black	TRD90566R
1"	25	19	30	90°	Equal	Black	TRD90567R
1 1/4"	32	25	30	90°	Equal	Black	TRD90568R
1 1/2"	38	30	30	90°	Equal	Black	TRD90569R
2"	50	42	30	90°	Equal	Black	TRD90570R
1/2"	16	8	25	90°	Unequal	Black	TRD90878R
1 1/4"	38	25	30	90°	Unequal	Black	TRD90571R



120° Male Threaded Elbows

Barb to barb mm	Hosetail Barb mm	Internal dia mm	Thread length mm	Bend angle	Type	Colour	No
1"	25	19	30	120°	Equal	Black	TRD90572R
1 1/4"	38	24	30	120°	Equal	Black	TRD90939R
1 1/2"	38	30	30	120°	Equal	Black	TRD90573R
2"	50	42	30	120°	Equal	Black	TRD90574R
1 1/4"	32	24	30	120°	Unequal	Black	TRD90923R

Straight Female Threaded Hosetails

Superior composite connection for fitting hose to male threaded fittings

- ◆ Manufactured from a glass reinforced nylon composite - high strength and lightweight
- ◆ Compatible with all hull types - can be used on aluminum, steel, wood or FRP hulls
Immune to corrosion and electrolysis - long life with no concerns over decreased performance due to corrosion
- ◆ Chemical resistant - impervious to diesel, petrol and antifouling paints
- ◆ UV resistant - these fittings will not break down with ultraviolet light or discolour from the sun
- ◆ High quality surface finish - will not discolour with green film as similar bronze fittings do
- ◆ Fits Tru-Design ball valves & BSP threads - universal compatibility to other Tru-Design fittings, and other marine components
- ◆ Large operating temperature range - suitable for all marine environments from -40°C to +110°C



Barb to barb mm	Hosetail Barb mm	Internal dia mm	Thread length mm	Weight g	Type	Colour	No
3/4"	19	12.7	30	27	Equal	Black	TRD90964R
1"	25	19	30	41	Equal	Black	TRD90965R
1 1/4"	32	24.5	30	55	Equal	Black	TRD90966R
1 1/2"	38	30.6	30	70	Equal	Black	TRD90967R
2"	50	41	30	106	Equal	Black	TRD90968R
3/4"	22	15.7	30		Unequal	Black	TRD90971R
1"	28		30		Unequal	Black	TRD90972R
1 1/4"	38	30.6	30	56	Unequal	Black	TRD90973R
1 1/2"	25	19	30	64	Unequal	Black	TRD90970R
1 1/2"	32	19	30	64	Unequal	Black	TRD90974R
1 3/4"	38	30.6	30	77	Unequal	Black	TRD90969R

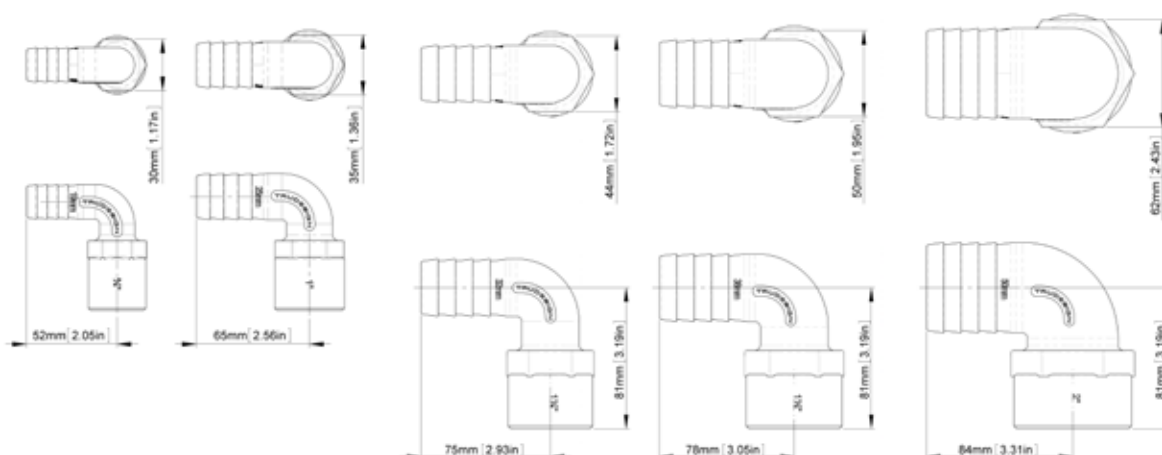
Note: Tail female fittings may be installed directly on to skin fittings that are installed above the maximum-heel waterline. For skin fittings installed below the waterline, a ball valve must be directly attached to the skin fitting in order to comply with international marine standards (ISO 9093-2) and ABYC H-27.



Female Threaded Elbows

Superior composite connection for fitting hose to male threaded fittings

90° Female Threaded Elbows



Thread - BSP - Female	Hosetail Barb mm	Internal dia mm	Thread length mm	Bend angle	Type	Colour	No
3/4"	19	12	30	90°	Equal	Black	TRD90774R
1"	25	18	30	90°	Equal	Black	TRD90776R
1 1/4"	32	24	30	90°	Equal	Black	TRD90637R
1 1/2"	38	30	30	90°	Equal	Black	TRD90635R
2"	50	42	30	90°	Equal	Black	TRD90633R
1/2"	16	10	30	90°	Unequal	Black	TRD90858R

Connector Female Male 90°

Versatile connector for tight corners



Thread - BSP Female - Male	Female thread length mm	Male thread length mm	Internal dia mm	Bend angle	Type	Colour	No
3/4" to 3/4"	30	30	12	90°	Equal	Black	TRD90778R
1" to 1"	30	30	18	90°	Equal	Black	TRD90780R
1 1/4" to 1 1/4"	30	30	24	90°	Equal	Black	TRD90638R
1 1/2" to 1 1/2"	30	30	30	90°	Equal	Black	TRD90636R
2" to 2"	30	30	42	90°	Equal	Black	TRD90634R



Ball Valves and Spanners

- ◆ The ball and sealing rings utilise a PTFE polymer to ensure a smooth action and minimal fouling of the internal ball
- ◆ The Ball valve can be locked in the close position to comply with toilet waste outlet regulations
- ◆ 100% leak tested before leaving factory
- ◆ Chemical resistant - impervious to diesel, petrol and antifouling paints
- ◆ UV resistant - will not degrade or discolour with ultraviolet light from the sun Large operating temperature range (-20° to +90°C)
- ◆ High quality surface finish - will not discolour with green film as bronze fittings do
- ◆ Approved by IMCI & Bureau Veritas to ISO standard 9093-2 requirements for manufacture and installation of non-metallic through hull fittings in small craft (up to 24m)



Manual Ball Valves

Light weight composite ball valve, free from corrosion and electrolysis.

Thread - BSP	Internal dia mm	Weight g	No
1/2"	19	300	TRD90548R
3/4"	19	300	TRD90549R
1"	19	300	TRD90550R
1 1/4"	32	450	TRD90551R
1 1/2"	32	450	TRD90552R
2"	52	700	TRD90553R



Ball Valve Spanners

For easy installation of manual and monitored ball valves to threaded fittings.

For use with valve size	No
1/2"	TRD90476
3/4" & 1"	TRD90477
1 1/4" & 1 1/2"	TRD90478
2"	TRD90479



Monitored Ball Valves

Light weight position-monitored ball valve, free from corrosion and electrolysis. Position monitoring allows remote monitoring of ball valve position. The position monitoring circuit can also be used as part of an engine or generator start interlock to ensure these do not start without cooling water available.

- ◆ Position monitored - able to be used as an engine interlock
- ◆ Monitoring of multiple Ball Valve positions through the panel display



Thread - BSP	Internal dia mm	Weight g	No
1/2"	19	350	TRD90473R
3/4"	19	350	TRD90277R
1"	19	350	TRD90243R
1 1/4"	32	500	TRD90239R
1 1/2"	32	500	TRD90236R
2"	52	750	TRD90553R



Seacock Monitor - for up to 4 valves

The position monitoring function switches state when the ball valve is in the open position.

Supplied with:

- ◆ Installation instructions
- ◆ 2 x hook-up wire with connector
- ◆ Mounting screws and covers
- ◆ Sticker sheet with options



RED = Supply (10-32V)
 BLUE = Valve closed signal
 GREEN = Valve open signal



Voltage	Max switching current	Wire length m	Dims h x w x d mm	Weight g	No
9.5V - 12V DC	500mA	2	67x88x18	230	TRD90412

Load Bearing Collars

Tru-Design load bearing collars are designed for use with Tru-Design skin fittings and ball valves. With the collar in place, the skin fitting-ball valve-tail assembly will withstand a 500lb (227kg) static force applied to the tail end of the assembly, for a minimum of 30 seconds.

- ◆ Strength and peace of mind. Rates assemblies to withstand a static load of 227kg at the tail end for a minimum of 30 seconds
- ◆ Unlike flanged seacocks, the Tru-Design load bearing collars work without needing to be fastened to the hull
- ◆ High strength and lightweight
- ◆ Protects vulnerable areas, such as the exposed thread of the skin fitting from being inadvertently truck by loose items in the hull
- ◆ Long life with no concerns over decreased performance due to corrosion. No bonding required



Size	For use with skin fitting sizes	Weight g	Colour	No
Small	½", ¾", 1"	150	Black	TRD90856R
Medium	1¼", 1½"	165	Black	TRD90857R
Large	2"	285	Black	TRD90920R



Technical Information

The following tables list the minimum, optimal and maximum hull thickness required for each of the different sizes and types of skin fitting (dome headed or recessed) to comply with ABYC H-27 standards.

Important Notes:

If hull thickness is less than the 'min.' value listed, a spacer /packer should be used on the inside of the hull underneath the skin fitting washer and nut. This should also apply if installed in a position where there is excessive curvature on the hull interior.

The thread length of a skin fitting can be shortened by cutting with a hacksaw or similar tool. Measure the remaining thread length from the top of the skin fitting nut as pictured in the table's right-hand column and ensure the thread length after cutting falls between the min. and max values. Remove any ragged internal edges with a small file.

At the 'optimal' hull thickness, there will be full thread engagement between the skin fitting and ball valve.

Reducing the skin fitting's thread length will not be required.

If hull thickness exceeds the 'max.' value listed, there will be insufficient thread engagement between the skin fitting and ball valve in order to achieve ABYC H-27 requirement for seacocks, thru hull fittings and drain plugs compliance. If possible, use a larger sized

Tru-Design skin fitting or consider using a Tru-Design recessed skin fitting.

Ball and skin fitting size	Size of load bearing collar	Hull thickness min mm	Hull thickness optional mm	Hull thickness max mm	Remaining thread length on Skin fitting (for Ball Valve)	No
½" Skin fitting + ½" Ball valve	Small	30	-	35	20mm ONLY	TRD90856R
½" Recessed skin fitting + ½" Ball valve	Small	30	-	38	20mm ONLY	TRD90856R
¾" Skin fitting + ¾" Ball valve	Small	20	30	35	15mm (min) - 20mm (best & max)	TRD90856R
1" Skin fitting + 1" Ball valve	Small	20	30	35	15mm (min) - 20mm (best & max)	TRD90856R
¾" Recessed skin fitting + ¾" Ball valve	Small	20	35	40	15mm (min) - 20mm (best & max)	TRD90856R
1" Recessed skin fitting + 1" Ball valve	Medium	20	35	40	15mm (min) - 20mm (best & max)	TRD90857R
1¼" Skin fitting + 1¼" Ball valve	Medium	24	36	48	20mm (min) - 32mm (best & max)	TRD90857R
1½" Skin fitting + 1½" Ball valve	Medium	24	36	48	20mm (min) - 32mm (best & max)	TRD90857R
1¼" Recessed skin fitting + 1¼" Ball valve	Medium	24	41	53	20mm (min) - 32mm (best & max)	TRD90857R
1½" Recessed skin fitting + 1½" Ball valve	Medium	24	42	54	20mm (min) - 32mm (best & max)	TRD90857R
2" Skin fitting + 2" Ball valve	Large	24	36	50	20mm (min) - 32mm (best & max)	TRD90920R



Domed Skin Fittings - for use above or below the waterline

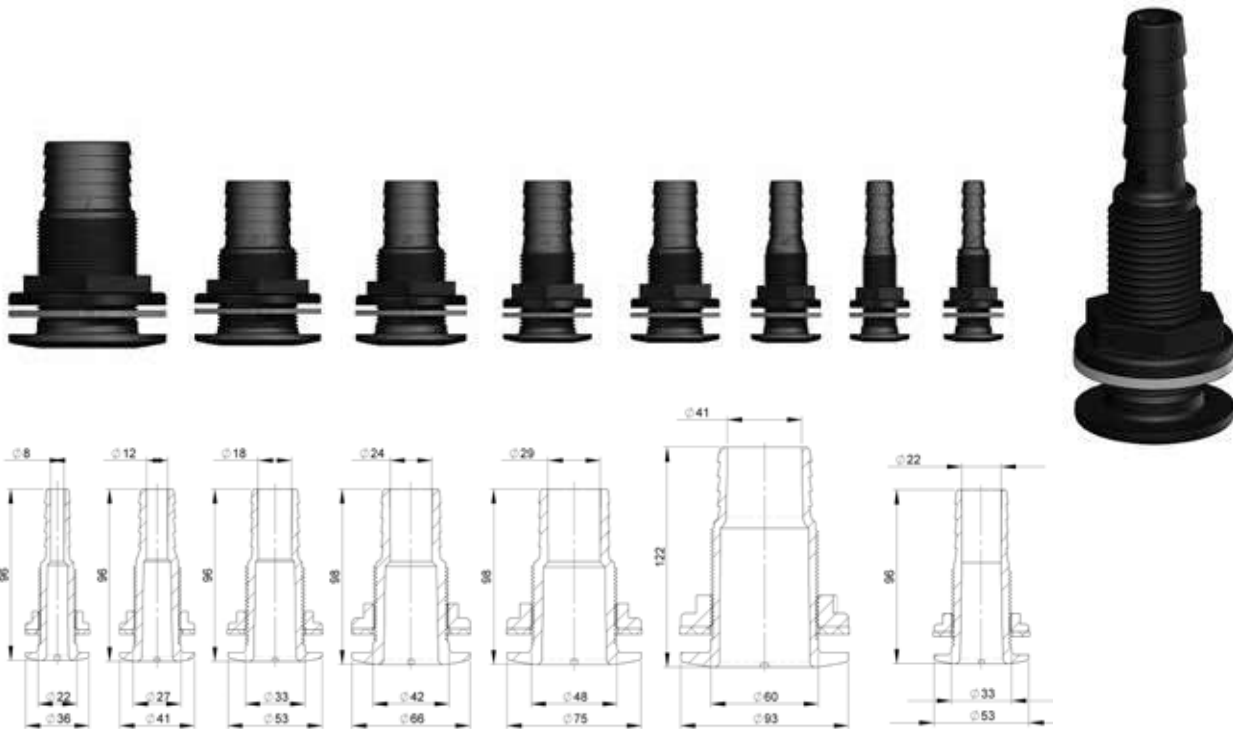
- ◆ Compatible with all hull types – can be used on aluminium, steel, wood, composite & GRP hulls.
- ◆ Chemical resistant – unaffected by diesel, petrol, chemicals, and antifouling paints
- ◆ U.V resistant – will not degrade or discolour from the sun's ultraviolet rays
- ◆ Paintable – paintable with all types of antifoul including Coppercoat™
- ◆ Fits Tru-Design ball valves and other parallel BSP or NPS threads – universal compatibility to TruDesign brand fittings and other marine hardware
- ◆ Large operating range – suitable for all marine conditions from -40°C to +110°C
- ◆ Meets ABYC H-27 – requirement for seacocks, thru hull fittings and drain plugs, when installed in combination with Tru-Design valves & load bearing collars



Thread BSP	Min internal hole dia mm	Max hull thickness allowing 70% thread engagement with ball valve mm	Colour	No
1/2"	12	32	Black	TRD90424R
1/2"	12	32	White	TRD90425R
3/4"	17	32	Black	TRD90431R
3/4"	17	32	White	TRD90432R
1"	23	32	Black	TRD90422R
1"	23	32	White	TRD90423R
1 1/4"	30	44	Black	TRD90420R
1 1/4"	30	44	White	TRD90421R
1 1/2"	36	44	Black	TRD90418R
1 1/2"	36	44	White	TRD90419R
2"	49	44	Black	TRD90428R
2"	49	44	White	TRD90429R

Domed Skin Fittings - for use above the waterline

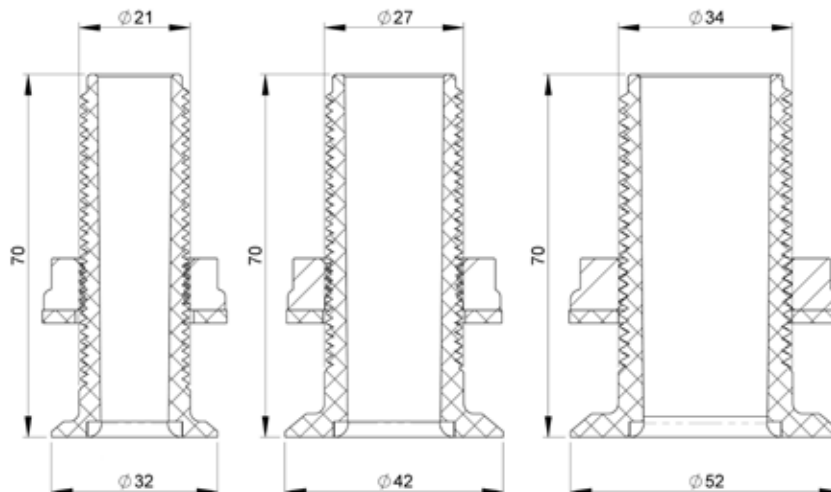
- ◆ Manufactured from a glass-reinforced nylon composite – high strength, tough and lightweight
Compatible with all hull types – can be used on aluminium, steel, wood, composite & GRP hulls
Immune to corrosion & electrolysis – no corrosion breakages, increased safety
Chemical resistant – unaffected by diesel, petrol, chemicals, and antifouling paints
- ◆ U.V resistant – will not degrade or discolour from the sun's ultraviolet rays
- ◆ Paintable – paintable with all types of antifoul.
- ◆ Long tail – allows for two hose clips as per ISO and ABYC ABYC H-27 – requirement for seacocks, thru hull fittings and drain plugs
- ◆ Large operating range – suitable for all marine conditions from -40°C to +110°C



Thread BSP	Min internal hole dia mm	Max hull thickness allowing 70% thread engagement with ball valve mm	Colour	No
1/2"	13	32	White	TRD90426R
1/2"	13	32	Black	TRD90522R
1/2"	16	32	White	TRD90810R
1/2"	16	32	Black	TRD90811R
3/4"	19	32	White	TRD90427R
3/4"	19	32	Black	TRD90523R
1"	25	44	White	TRD90430R
1"	25	44	Black	TRD90524R
1"	28	44	White	TRD90436R
1"	28	44	Black	TRD90525R
1 1/4"	32	44	White	TRD90433R
1 1/4"	32	44	Black	TRD90526R
1 1/2"	38	44	White	TRD90434R
1 1/2"	38	44	Black	TRD90527R
2"	50	44	White	TRD90435R
2"	50	44	Black	TRD90528R

Recessed Skin Fittings

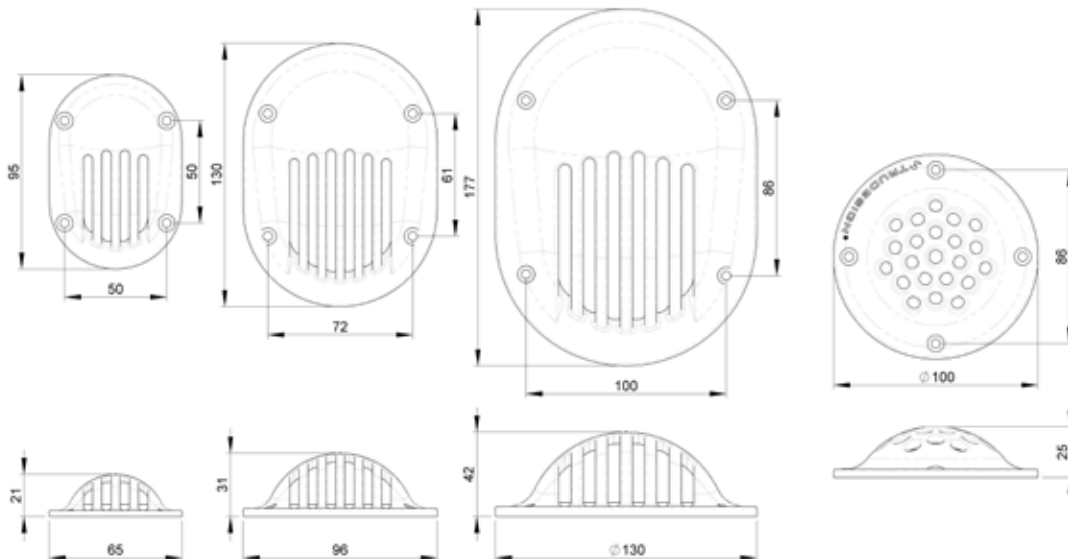
- ◆ Low profile for less drag below the water line. Compatible with all hull types – can be used on aluminium, steel, wood, composite & GRP hulls. Immune to corrosion & electrolysis – no corrosion breakages, increased safety
- ◆ Chemical resistant – unaffected by diesel, petrol, chemicals, and antifouling paints.
- ◆ U.V resistant – will not degrade or discolour from the sun's ultraviolet rays
- ◆ Paintable – Paintable with all types of antifoul including Coppercoat™
- ◆ Fits TruDesign ball valves and other parallel BSP or NPS threads – universal compatibility to Tru-Design brand fittings and other marine hardware
- ◆ Large operating range – suitable for all marine conditions from -40°C to +110°C
- ◆ Meet ABYC H-27 ABYC H-27 – requirement for seacocks, thru hull fittings and drain plugs, when installed in combination with Tru-Design ball valves & load bearing collars



Thread BSP	Min internal hole dia mm	Max hull thickness allowing 70% thread engagement with ball valve mm	Weight g	Colour	No
1/2"	12	36	26	White	TRD90709
3/4"	17	36	40	White	TRD90710
1"	23	36	58	White	TRD90711

Intake Strainers - designed to mount over all Tru-Design Skin fittings

- ◆ The Scoop Strainer is designed to divert large objects away from water intakes while the vessel is moving. This helps eliminate problems with seaweed/seagrass, sticks or rubbish being sucked into engine intakes and blocking or clogging intake filters
- ◆ The strainer acts as a coarse first stage filter that is cleaned by water movement
- ◆ The Round Strainer is designed for use in stationary applications where there is a risk of sucking in unwanted objects
- ◆ Tru-Design Intake Strainers eliminate the corrosion and electrical bonding problems associated with metallic fittings. They can be painted over with anti-foul, and can be faired into the hull without concerns of corrosion



Size	Fits skin fittings size	External dims w x l x d mm	Strainer area mm ²	Area ratio strainer : skin fitting	Type	Colour	No
3/4"	1/2" & 3/4"	65x95x21	430	1.90:1	Scoop	White	TRD90623R
1 1/4"	1" & 1 1/4"	96x130x31	1530	1.85:1	Scoop	White	TRD90554R
1 1/4"	1 1/4" or smaller	120Ø	705	1.00:1	Round	White	TRD90556R
2"	1 1/2" & 2"	130x177x42	3200	1.75:1	Scoop	White	TRD90555R



Skin Fitting Installation Tools

Tru-Design skin fitting (thru-hull) installation tools make the fitting of our certified skin fitting (thru hull) to be carried out quickly and simply by one person – traditionally a task that has required two people, saving time and money. METS Category Winner of the 2016 DAME award. Ideally suited for boat builders.

- ◆ Only one person needed to fit skin fittings (thru-hulls) saves time and money Tough, durable and lightweight -will not degrade or discolour from exposure to sunlight. Reusable. Boat Builders can have multiple installation tools at low cost - speeding up production
- ◆ Dual handles - lower handle allows fitting to be held whilst epoxy or bedding compound is applied keeping hands and work areas clean. Upper handle used to stop skin fitting (thru-hull) from rotating when fitting and tightening the washer and nut from the hull interior
- ◆ Securing clips snap-on and lock in place with skin fitting (thru-hull) so it can be easily handled/transported

Skin fitting size	No
¾"	TRD90933
1"	TRD90934
1¼"	TRD90935
1½"	TRD90936
2"	TRD90937
Skin Fitting Installation Tool	TRD90782



Nuts

Thread - BSP	Colour	No
½"	Black	TRD90481
¾"	Black	TRD90483
1"	Black	TRD90485
1¼"	Black	TRD90487
1½"	Black	TRD90489
2"	Black	TRD90491

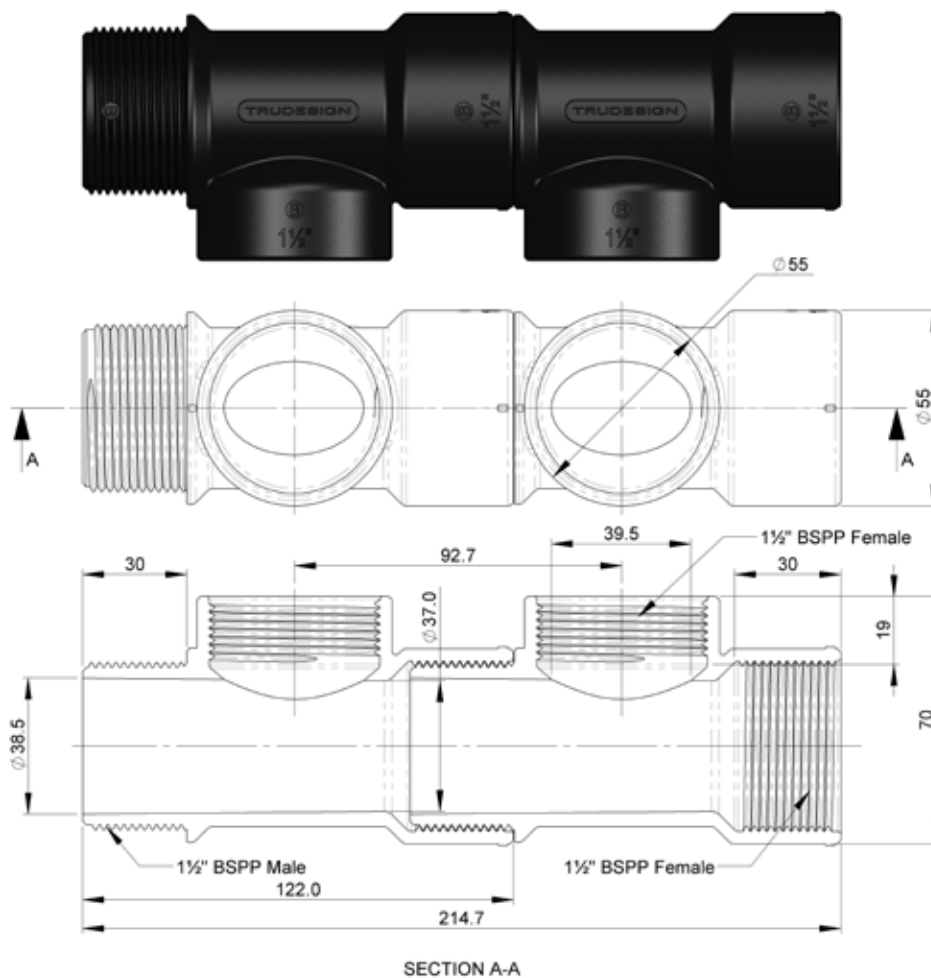


T-Piece connector 1½" BSP M-F-F

A versatile building-block, the Tru-Design T-Piece connector functions not only as a T-Piece but also as an expandable manifold. The Tru-Design T-Piece connector features two 1½" female parallel threads and one 1½" male parallel thread allowing manifolds to be created simply by joining two or more parts together. This allows users to channel multiple drains to one ball valve-skin fitting thru-hull outlet, eliminating the need for additional thru-hull fittings.

The flexibility of the Tru-Design T-Piece Connector allows:

- ◆ Mixed sizes of hose tail fittings to select from to suit ¾", 1", 1¼" & 1½" I.D hose
- ◆ Neat and tidy routing of hoses with a range of hose tail directions available including straight, 90° & 120°
- ◆ Direct connection to a 1½" ball valve or 1½" (above waterline) skin fitting
- ◆ Connection to plumbing pipework or a secondary ball valve with use of the threaded connector



Thread - BSP

1½" Male Female Female

Dims l x w x Ø mm

214.7x70x55Ø

Colour

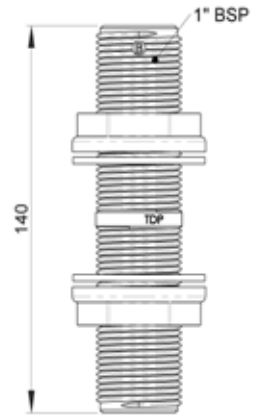
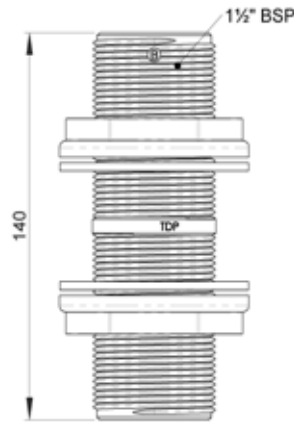
Black

No

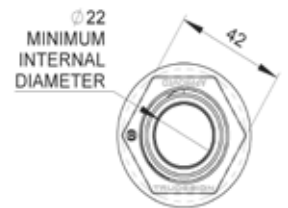
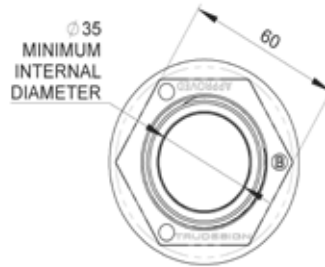
TRD90894R

Thru bulkhead threaded tube - to pass plumbing or wiring through the bulkhead of your boat

- ◆ Comes in two sizes of diameter 1" and 1½"
- ◆ Total length 140mm (5½")
- ◆ Comes complete with two nuts and two backing washers
- ◆ Eliminates chafing of plumbing hoses or wiring when passing through bulk heads
- ◆ Connects with Tru-Design hose female hose tails to allow routing of hoses to fit neatly into place
- ◆ Can be cut to length to suit thickness of bulk head



Thread - BSP	Colour	No
1" threaded tube, through bulk head	Black	TRD91097
1½" threaded tube, through bulk head	Black	TRD91098
3 way connector white inc. spanner	White	TRD90300



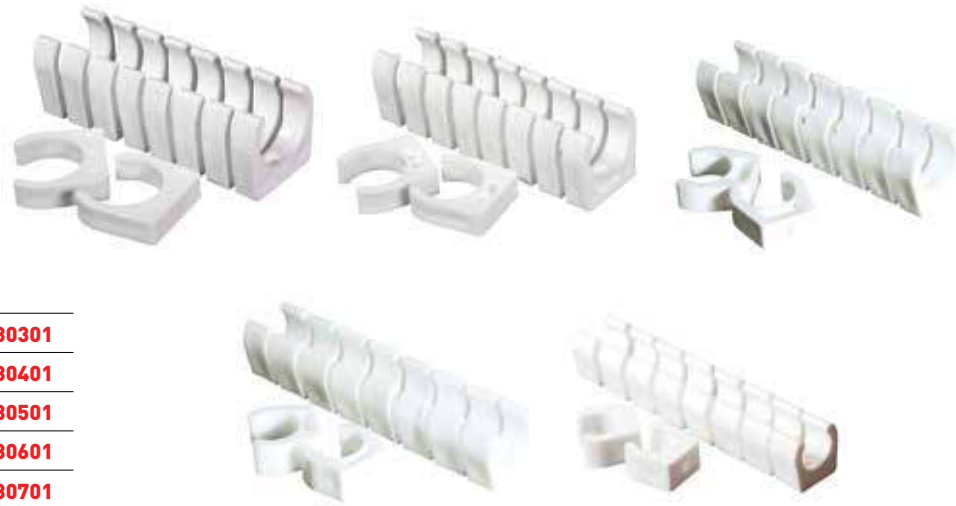
Worm-Drive Marine Quality Hose Clips



Size mm	No in pack	No
L W4 8-16mm	10	Q007230
L W4 12-22mm	10	Q007231
L W4 16-27mm	10	Q007232
S W4 20-32mm	10	Q007233
S W4 25-40mm	10	Q007234
S W4 32-50mm	10	Q007235
Hose Clips S W4 40-60mm	10	Q007236
Hose Clips S W4 50-70mm	10	Q007237



Maclow Nylon Pipe Holding Clips



For pipe size Ø	No in pack	No
5/8"/15mm	10	DC2030301
3/4"/19mm	10	DC2030401
1"/25mm	10	DC2030501
1 1/4"/30mm	10	DC2030601
1 1/2"/38mm	10	DC2030701



Suction & Delivery Hose Transparent Green



- ◆ Lightweight construction for easy handling
- ◆ Optimum flow is maintained by the smooth bore
- ◆ Tough, flexible and extremely durable
- ◆ Retains flexibility, even in cold weather
- ◆ Outstanding resistance to the effects of weather
- ◆ Excellent chemical and abrasion resistance
- ◆ RoHS 3 – restriction of hazardous substances – compliant

Internal diameter	External diameter	Wall thickness mm	Maximum working pressure	Weight/m kg	Bend radius mm	Vacuum m/H2O	Coil length m	No
3/4"/19mm	1"/25mm	3.3	9.0bar	0.38	76	7	30	AQMSDH1930TG
1"/25.4mm	1 1/4"/32mm	3.3	8.0bar	0.33	114	7	30	AQMSDH2530TG
1 1/4"/32mm	1 1/2"/39.2mm	3.6	7.0bar	0.46	143	7	30	AQMSDH3230TG
1 1/2"/38mm	1 3/4"/45.4mm	3.7	6.5bar	0.55	171	7	30	AQMSDH3830TG



TRIDENT RUBBER, INC.

Bilge Hose



- ◆ Extremely flexible
- ◆ Corrugated polyethylene for bilge intake and discharge
- ◆ Cuffed every 30.5cm/1ft for clamping
- ◆ Resists oily bilge and sea water
- ◆ Not recommended for below wateline thru-hull connections
- ◆ Operating temperatures -40°C - +93°C
- ◆ White

Internal diameter	Weight/m kg	Bend radius mm	Vacuum m/H2O	Coil length m	No
3/4"/19mm	1.8	19.05	6.9	15.24	TRI1200346
1 1/8"/29mm	2.25	25.4	6.9	15.24	TRI1201186
1 1/2"/38mm	3.15	48.3	6.9	15.24	TRI1201126



TRIDENT RUBBER, INC.

Heavy Duty Bilge Hose

- ◆ Clear see through vinyl corrugated with black hard PVC helix
- ◆ Smooth inner bore
- ◆ A heavy duty hose for bilge/drain and livewell applications Provides exceptional flexibility and bend radius
- ◆ Not recommended for below waterline thru-hull connections
- ◆ No cuffs required
- ◆ Operating temperatures -12°C - +49°C



Internal diameter	Outer diameter	Weight/m kg	Radius bend mm	Vacuum m/H2O	Coil length m	No
¾"/19mm	1"/25mm	0.3	19	6.9	15.24	TRI1440346



Sanitation Hose White

- ◆ Odour resistant for sanitation purposes
- ◆ Tough flexible and extremely durable
- ◆ Minimum frictional loss is achieved by the smooth bore
- ◆ UV stabilised
- ◆ Excellent chemical and abrasion resistance
- ◆ Hose is resistant to most cleaning chemicals and detergents
- ◆ Flexibility maintained - even under cold weather conditions
- ◆ Suitable for delivery and suction of cleaning chemicals within seawater boats
- ◆ Flat outer profile for easy cleaning
- ◆ RoHS 3 compliant



Internal diameter	External diameter	Wall thickness mm	Maximum working pressure	Weight/m kg	Bend radius mm	Vacuum m/H2O	Coil length m	No
¾"/19mm	1"/25.4mm	3.3	9.0bar	0.38	76	7	30	AQMMSH1930SW
1"/25.4mm	1¼"/32.6mm	3.6	8.0bar	0.39	102	7	30	AQMMSH2530SW
1½"/38mm	1¾"/45.4mm	4	6.5bar	0.56	152	7	30	AQMMSH3830SW



Premium Sanitation Hose

- ◆ The best solution for marine environments
- ◆ EPDM rubber construction provides resistance to odour permeation
- ◆ Excellent bend radius and heat resistance
- ◆ 10 year warranty
- ◆ Operating temperatures -29°C - +104°C



Internal diameter	Outer diameter	Maximum working pressure	Weight/m kg	Bend radius mm	Colour	Coil length m	No
1½"/38mm	2"/51mm	4.1bar	1.31	76.2	Black	3.81	TRI10111241B
1½"/38mm	2"/51mm	4.1bar	1.31	76.2	White	3.81	TRI10211241B
1½"/38mm	2"/51mm	4.1bar	1.31	76.2	White	7.62	TRI1021125

Extra Heavy Duty Sanitation Hose

- ◆ Smooth white vinyl
- ◆ Specially compounded to provide excellent resistance to odour permeation and potable water fill
- ◆ Can also be used for critical bilge/drain scuppers/live well applications
- ◆ Hard PVC helix gives good flexibility and bend radius
- ◆ No cuffs required
- ◆ Not for use with alcohol, anti-freeze, petrochemicals or solvents
- ◆ Self-draining installations are recommended for longest odour free service
- ◆ Operating temperatures -12°C - +48°C



Internal diameter	Outer diameter	Weight/m kg	Bend radius mm	Vacuum m/H2O	Coil length m	No
1"/25mm	1¼"/32mm	0.52	76.2	9.7	15.24	TRI1481006
1½"/38mm	1¾"/45mm	0.76	102	9.7	15.24	TRI1481126





Wire Reinforced Food Quality Hose

- ◆ Flexible
- ◆ Resistant to most chemicals and UV Anti - Static through earthing the wire at each end
- ◆ Suitable for food contact applications up to +60°C
- ◆ Weather resistant
- ◆ Durable
- ◆ Good abrasion
- ◆ Rot and chemical resistance
- ◆ Good crush and kink resistance



Internal diameter	Maximum working pressure	Weight/m kg	Bend radius mm	Vacuum m/H2O	Coil length m	No
1¼"/32mm	13bar	0.65	75	9	30	AQMWRH3230TC



Multi Layered Food Quality Hose

- ◆ Will not support microbiological growth
- ◆ WRAS approved construction
- ◆ Cadmium and silicone - free
- ◆ Manufactured using a unique ultra-hygenic heat bonding technology which eradicates the need for chemicals
- ◆ High quality PVC outer extruded with brilliant white 'clinical' finish
- ◆ TPE mirror smooth inner for improved flow
- ◆ Odourless and taint free specialist materials
- ◆ Good flexibility and durability
- ◆ Excellent resistance to abrasion
- ◆ Specially selected high tensile Polyester fibre reinforcement
- ◆ Good kink resistance across a wide temperature range
- ◆ Independently tested in accordance with BS 6920
- ◆ Laser printed for clarity and cleanliness
- ◆ BS 6920 – assessments for suitability of non-metallic materials to ensure integrity of the material
- ◆ RoHS 3 – restriction of hazardous substances - compliant



Internal diameter	External diameter	Maximum working pressure	Minimum burst Pressure	Weight/m kg	Bend radius mm	Coil length m	No
¼"/10mm	5/8"/16mm	10bar	60bar	0.158	40	30	AQMRPH1030SW



Braided PVC Food Hose

- ◆ Clear versions offer excellent glass transparency for clear visibility
- ◆ Also offered in solid red and solid blue colours for Hot/Cold ID in installations
- ◆ Good flexibility for ease of use
- ◆ Resistant to a wide range of chemicals including many acids/alkalis
- ◆ Abrasion resistant. Thicker wall gives medium to heavy duty durability for improved resistance to abrasion
- ◆ Specially selected high tensile Polyester fibre reinforcement creates an effective and balanced pressure hose
- ◆ EU no. 10/2011 compliant for food contact applications RoHS 3 compliant
- ◆ Manufactured from cadmium and silicone-free materials, using a specialist PVC that can reduce the taint of drinking water
- ◆ Manufactured in accordance with ISO 5774
- ◆ 4:1 safety factor
- ◆ EU no. 10/2011 – compliant for food contact applications
- ◆ RoHS 3 – restriction of hazardous substances - compliant
- ◆ NSF51 & NSF61 – approval for transfer of drinking water



Hose colour	Internal diameter	External diameter	Maximum working pressure	Minimum burst Pressure	Weight/m kg	Bend radius mm	Coil length m	No
Clear	1¼"/6.3mm	29/64"/11.5mm	16bar	64bar	0.093	28	30	AQMRPV061130TC
Clear	5/16"/8mm	17/32"/13.5mm	16bar	64bar	0.123	29	30	AQMRPV081430TC
Clear	3/8"/10mm	5/8"/16mm	15bar	60bar	0.163	40	30	AQMRPV101630TC
Blue	3/8"/10mm	5/8"/16mm	15bar	60bar	0.163	40	30	AQMRPV101630SB
Red	3/8"/10mm	5/8"/16mm	15bar	60bar	0.163	40	30	AQMRPV101630SR
Clear	½"/12mm	17/32"/18mm	15bar	60bar	0.187	55	30	AQMRPV121830TC
Blue	½"/12.5mm	47/64"/18.5mm	15bar	60bar	0.187	55	30	AQMRPV121830SB
Red	½"/12.5mm	47/64"/18.5mm	15bar	60bar	0.187	55	30	AQMRPV121830SR
Clear	¾"/19mm	15/16"/24mm	10bar	40bar	0.310	135	30	AQMRPV192430TC
Clear	1"/25mm	119/64"/33mm	10bar	40bar	0.432	210	30	AQMRPV253330TC
Clear	1¼"/32mm	121/32"/42mm	10bar	40bar	0.684	320	30	AQMRPV324230TC
Clear	1½"/38.75mm	129/32"/48.5mm	10bar	40bar	0.684	420	30	AQMRPV384830TC



Clear PVC Food Hose

- ◆ Glass clear transparency for easy visibility
- ◆ Excellent abrasion and corrosion resistant properties for increased durability
- ◆ Good flexibility for ease of use
- ◆ Manufactured from cadmium and silicone-free materials using a special low toxic, odourless PVC formulation that can reduce the taint of drinking water
- ◆ EU No.10/2011 compliant for food contact applications RoHS 3 compliant
- ◆ Suitable for use with alcohol, petrol, oils, greases and solvents
- ◆ Highly resistant to a wide range of acids and alkalis
- ◆ Service temperature = -15°C to + 60°C
- ◆ EU no. 10/2011 – compliant for food contact applications
- ◆ RoHS 3 – restriction of hazardous substances - compliant
- ◆ NSF51 & NSF61 – approval for transfer of drinking water



Hose colour	Internal diameter	External diameter	Weight/m kg	Bend radius mm	Coil length m	No
Clear	3/16"/5mm	5/16"/8mm	0.035	72	30	AQMPVC050830TC
Clear	1/4"/6mm	23/64"/9mm	0.044	81	30	AQMPVC060930TC
Clear	5/16"/8mm	7/16"/11mm	0.065	99	30	AQMPVC081130TC
Clear	5/16"/8mm	35/64"/14mm	0.139	126	30	AQMPVC081430TC
Clear	3/8"/10mm	1/2"/13mm	0.078	117	30	AQMPVC101330TC
Clear	3/8"/10mm	5/8"/16mm	0.164	144	30	AQMPVC101630TC
Clear	1/2"/12mm	19/32"/15mm	0.092	135	30	AQMPVC121530TC
Clear	1/2"/12mm	45/64"/18mm	0.163	162	30	AQMPVC121830TC
Clear	3/4"/19mm	1"/25mm	0.151	198	30	AQMPVC192530TC
Clear	1"/25mm	17/32"/31mm	0.262	225	30	AQMPVC253130TC
Clear	1 1/2"/38mm	1 57/64"/48mm	1	432	30	AQMPVC384830TC



SLX Superflat Cassette Hose

- ◆ Compact for convenient space -saving storage
- ◆ Highly flexible
- ◆ Lightweight and easy to use
- ◆ Easily drained when stowing
- ◆ Compatible with most leading brands of garden hose fittings
- ◆ Silicone-free
- ◆ Made from Cadmium-free materials
- ◆ Supplied with deluxe quick-release fittings - universal tap connector and adjustable spray nozzle
- ◆ RoHS 3 compliant



Hose colour	Internal diameter	External diameter	Maximum working pressure	Minimum burst pressure	No
Opaque blue	1/2"/12.5mm	5/8"/15.8mm	8bar	24bar	AQMSLXHOSE



HoseCoil Hoses

- ◆ Made from top of the line polyether material
- ◆ Brass long-life fittings
- ◆ Non kinking - eliminates hose damage - increases service life
- ◆ UV resistant for longer fade free life
- ◆ Quick recoil thanks to self-coiling design
- ◆ Lightweight hose for easy handling
- ◆ Strain relief incorporated on HoseCoil to protect nozzle end

Length m	Hose diameter	Coil size	No
4.6	3/8"/10mm	4"/10cm	HCHS1500HP
7.6	3/8"/10mm	4"/10cm	HCHS2500HP



Horizontal Mount Enclosure

- ◆ Constructed from durable, high density ABS
- ◆ Incorporates a glossy UV protective coating
- ◆ Includes a solid blue 7.6m Hosecoil with nozzle
- ◆ Can be plumbed directly into pressurised water system or washdown pump
- ◆ Includes a 7.6m feeder hose for connecting to an external spigot
- ◆ Perfect for various uses around the boat and home



Width mm	Height mm	Depth mm	No
521	241	127	HCHC25H

Side Mount Enclosure

- ◆ Enables mounting of Hosecoil securely in a drop in pod
- ◆ Includes a solid blue 4.6m Hosecoil
- ◆ Supplied with nozzle and connector
- ◆ Nozzle features soft contoured rubber grip and adjustable spray tip
- ◆ Can be plumbed directly into pressurised water system or washdown pump



Width mm	Height mm	Depth mm	No
244	458	153	HCHC15S

Flush Mount Enclosure

- ◆ Enables flush mounting of the Hosecoil enclosure
- ◆ Includes a solid blue 4.6m Hosecoil
- ◆ Supplied with nozzle and connector
- ◆ Can be mounted into a bulkhead or into a deck
- ◆ Supplied with hardware that enables connection into the pressurised water system or washdown pump
- ◆ Flush mount enclosure has a clear housing for easy inspection
- ◆ Brass hosetail fitting on the outside of the enclosure for attachment of a drain hose
- ◆ Tight 'O' ring seal on enclosure body
- ◆ Easy to use locking latch cover
- ◆ Brass twist on nozzle with flow control
- ◆ Enclosure made from high performance polyether material



Diameter mm	Depth mm	Cutout	No
127	330	171mm with 330mm depth required behind/under	HCHC15F



A

ALB0101001	3	ALB0301006	24	ALB0801004	69
ALB0101002	3	ALB0301015	23	ALB0801005	69
ALB0102002	5	ALB0301016	23	ALB0801024	69
ALB0102003	5	ALB0302007	25	ALB0801025	69
ALB0102004	5	ALB0302008	25	ALB0801026	69
ALB0102005	5	ALB0302009	25	ALB0801027	69
ALB0102006	5	ALB0302010	25	ALB0801028	69
ALB0102007	6	ALB0302027	25	ALB0801030	70
ALB0102008	6	ALB0302028	25	ALB0801032	70
ALB0103011	11	ALB0366011	51	ALB0802006	71
ALB0103012	11	ALB0366012	31	ALB0802007	71
ALB0103013	11	ALB0369017	31	ALB0802008	71
ALB0103014	11	ALB0399014	31	ALB0802009	71
ALB0104015	9	ALB0701001	34	ALB0802010	71
ALB0104016	9	ALB0701002	35	ALB0803030	70
ALB0104017	9	ALB0701003	34	ALB0803032	70
ALB0104018	9	ALB0702004	36	ALB0866011	72
ALB0104019	9	ALB0702005	36	ALB0866012	72
ALB0105074	13	ALB0702006	36	ALB0899013	72
ALB0105075	13	ALB0702007	36	ALB0899014	72
ALB0105076	13	ALB0702008	36	ALB0899015	73
ALB0105077	13	ALB0702009	36	ALB0899016	73
ALB0105078	13	ALB0702043	37	ALB0899017	73
ALB0105079	13	ALB0702044	37	ALB0899018	73
ALB0105080	13	ALB0702045	40	ALB0899019	73
ALB0105081	13	ALB0702046	40	ALB0899020	73
ALB0105082	13	ALB0703010	38	ALB0899021	73
ALB0107007	19	ALB0703011	38	ALB0899022	73
ALB0107008	20	ALB0703012	39	ALB0899023	73
ALB0131045	3	ALB0703013	39	ALB0901001	78
ALB0131046	3	ALB0704014	41	ALB0901002	78
ALB0133065	11	ALB0704015	41	ALB0901003	79
ALB0133066	11	ALB0704016	41	ALB0901004	79
ALB0133067	11	ALB0704017	41	ALB0901009	79
ALB0133068	11	ALB0766018	35	ALB0901010	79
ALB0134069	9	ALB0766019	46	ALB0902005	80
ALB0134070	9	ALB0766020	46	ALB0902006	80
ALB0134071	9	ALB0766021	46	ALB0902007	81
ALB0134072	9	ALB0766022	46	ALB0902008	81
ALB0134073	9	ALB0766023	47	ALB0902011	80
ALB0166025	15	ALB0766024	47	ALB0902012	80
ALB0166027	17	ALB0766025	47	ALB0902013	81
ALB0166028	17	ALB0766026	47	ALB0902014	81
ALB0166037	5, 6, 11, 16	ALB0766027	49	ALB0966015	78
ALB0169041	18	ALB0766028	49	ALB0966016	78
ALB0169042	18	ALB0766029	49	ALB0966017	79, 81
ALB0191047	86	ALB0766030	48	AQM90190	4
ALB0191048	86	ALB0766031	48	AQMMSH1930SW	108
ALB0201003	56	ALB0766032	48	AQMMSH2530SW	108
ALB0201004	56	ALB0766033	48	AQMMSH3830SW	108
ALB0201005	56	ALB0766034	26	AQMPRV101630SR	111
ALB0202006	56	ALB0792050	46	AQMPVC050830TC	112
ALB0202007	56	ALB0792051	46	AQMPVC060930TC	112
ALB0202008	56	ALB0794078	41	AQMPVC081130TC	112
ALB0202009	56	ALB0794081	41	AQMPVC081430TC	112
ALB0204015	82	ALB0799035	34, 37, 38, 40	AQMPVC101330TC	112
ALB0204016	82	ALB0799036	35, 39	AQMPVC101630TC	112
ALB0266022	58, 83	ALB0799037	41	AQMPVC121530TC	112
ALB0299023	58, 83	ALB0799054	34, 38	AQMPVC121830TC	112
ALB0301001	22	ALB0799055	34, 38	AQMPVC192530TC	112
ALB0301002	22	ALB0799056	35, 39	AQMPVC253130TC	112
ALB0301003	22	ALB0799067	37, 40	AQMPVC384830TC	112
ALB0301004	22	ALB0801001	69	AQMRPH1030SW	110
ALB0301005	24	ALB0801002	69	AQMRPV061130TC	111
		ALB0801003	69	AQMRPV081430TC	111

AQMRPV101630SB	111
AQMRPV101630TC	111
AQMRPV121830SB	111
AQMRPV121830SR	111
AQMRPV121830TC	111
AQMRPV192430TC	111
AQMRPV253330TC	111
AQMRPV324230TC	111
AQMRPV384830TC	111
AQMSDH1930TG	107
AQMSDH2530TG	107
AQMSDH3230TG	107
AQMSDH3830TG	107
AQMSLXHOSE	113
AQMWRH3230TC	110
AT115952	4
AT115962	4
AT41404	14
AT41411	33
AT41421	33
AT41434	33
AT42017	16
AT42027	15
AT45051	10
AT45057	10
AT45071	10
AT45077	10
AT45111	10
AT45117	10
AT46067	7
AT46087	7
AT46091	7
AT46127	7
AT47304	12
AT47604	12
AT76153	17
AT7615A3	17

C

CIBBOX	21
--------	----

D

DC2030301	107
DC2030401	107
DC2030501	107
DC2030601	107
DC2030701	107

E

ELBAG15P	53
ELBLU02	52
ELBLU04	52
ELBOAT02	53
ELDBLU01	52
ELDBLU400	52
ELDBR02X	53
ELDRIN01	52
ELDRIN400	52
ELGRE02	54
ELOXF01	54
ELPIN02	52
ELROL04	53
ELS100AP	62
ELSEPT40	54
ELWATE01	65

H

HCHC15F	115
HCHC15S	114
HCHC25H	114
HCHS1500HP	113
HCHS2500HP	113
HUN535400	88
HUN536200	91
HUN536300	91
HUN536400	91
HUN536500	90
HUN536600	90
HUN537200	88
HUN537400	88
HUN539200	88
HUN539300	88
HUN816500	62
HUN816700	62
HUN817400	62
HUN817600	62
HUN950500	61
HUN950600	61

P

P39463	66
P39468	66
PEN4128110E04	57
PEN4139111B54	57
PEN4139111B87	57
PEN4139131A87	57
PEN4139131B54	57
PEN4139131B87	57

Q

Q006699	59
Q006728	59
Q006729	59
Q006830	85
Q006844	57
Q006855	59
Q006866	59
Q006867	58
Q006949	15
Q006970	8
Q006971	8
Q006972	8
Q006973	8
Q006987	64
Q006989	64
Q006990	64
Q007230	106
Q007231	106
Q007232	106
Q007233	106
Q007234	106
Q007235	106
Q007236	106
Q007237	106
Q007593	4
Q007708	60
Q007710	61
Q007711	61
Q007713	60
Q007715	60
Q007764	61
Q007789	86

Q007871	4
Q016996	64
Q016999	63
Q032260	59
Q033199	67
Q033223	66
Q033224	66
Q033225	85
Q033233	84
Q033234	85
Q033275	84
Q033283	84
Q047701	67
Q047702	67
QKB31505S	74
QKB31512S	74
QKB32005S	74
QKB32012S	74
QKB32505S	74
QKB32512S	74
QKB33005S	74
QKB33012S	74
QKB34005S	74
QKB34012S	74
QKB36005S	74
QKB36012S	74
QKB38012S	74
QKBX10012S	75
QKBX1505S	75
QKBX1512S	75
QKBX1605S	76
QKBX1612S	76
QKBX2005S	75
QKBX2012S	75
QKBX2505S	75
QKBX3005S	75
QKBX3012S	75
QKBX4005S	75
QKBX4012S	75
QKBX5012S	75
QKBX6012S	75
QKBX8012S	75
QKBXS2505S	76
QKBXS2512S	76
QKBXS4005S	76
QKBXS4012S	76
QKEBSN10	17
QKEBSN15	17
QKEBSN20	17
QKFVSLANMG1820A00	74
QKFVSLCR220V00A00	74
QKFVSLPNXB3300A00	74
QKFVSLPNXB3360A00	74
QKFVSLPNXB3400A00	74
QKFVSLTB152700A00	74

S

SB32300	65
SB71703	55
SB71716	55
SB71718	55
SB71732	55
SB71734	55
SB71763	55
SB86416	55
SB97008	63





SB97016	63	TRD90525R.....	101	TRD90641R.....	92
SB97116	63	TRD90526R.....	101	TRD90702R.....	89
T					
TRD90236R.....	97	TRD90527R.....	101	TRD90709	102
TRD90239R.....	97	TRD90528R.....	101	TRD90710	102
TRD90243R.....	97	TRD90538R.....	30	TRD90711	102
TRD90277R.....	97	TRD90539R.....	30	TRD90774R.....	95
TRD90300	28	TRD90540R.....	30	TRD90776R.....	95
TRD90300	106	TRD90541R.....	30	TRD90778R.....	95
TRD90309	32	TRD90542R.....	30	TRD90780R.....	95
TRD90310	32	TRD90543R.....	30	TRD90782	104
TRD90311	32	TRD90544R.....	30	TRD90791R.....	89
TRD90312R.....	27	TRD90545R.....	30	TRD90792R.....	89
TRD90313R.....	27	TRD90548R.....	96	TRD90803R.....	90
TRD90314R.....	27	TRD90549R.....	96	TRD90809R.....	89
TRD90316	27	TRD90550R.....	96	TRD90810R.....	101
TRD90317	27	TRD90551R.....	96	TRD90811R.....	101
TRD90318R.....	50	TRD90552R.....	96	TRD90845R.....	87
TRD90319R.....	50	TRD90553R.....	96	TRD90846R.....	87
TRD90320R.....	50	TRD90553R.....	97	TRD90847R.....	87
TRD90321R.....	50	TRD90554R.....	103	TRD90848R.....	87
TRD90322R.....	50	TRD90555R.....	103	TRD90849R.....	87
TRD90323R.....	50	TRD90556R.....	103	TRD90856R.....	98
TRD90327	27	TRD90557R.....	92	TRD90856R.....	99
TRD90344	29	TRD90558R.....	92	TRD90857R.....	98
TRD90346	29	TRD90559R.....	92	TRD90857R.....	99
TRD90355	51	TRD90560R.....	92	TRD90858R.....	95
TRD90396	14	TRD90561R.....	92	TRD90858R.....	95
TRD90412	97	TRD90562R.....	92	TRD90876R.....	92
TRD90418R.....	100	TRD90563R.....	92	TRD90878R.....	93
TRD90419R.....	100	TRD90564R.....	92	TRD90880R.....	92
TRD90420R.....	100	TRD90564R.....	92	TRD90894R.....	105
TRD90421R.....	100	TRD90565R.....	93	TRD90920R.....	98
TRD90422R.....	100	TRD90566R.....	93	TRD90920R.....	99
TRD90423R.....	100	TRD90567R.....	93	TRD90923R.....	93
TRD90424R.....	100	TRD90568R.....	93	TRD90933	104
TRD90425R.....	100	TRD90569R.....	93	TRD90934	104
TRD90426R.....	101	TRD90570R.....	93	TRD90935	104
TRD90427R.....	101	TRD90571R.....	93	TRD90936	104
TRD90428R.....	100	TRD90572R.....	93	TRD90937	104
TRD90429R.....	100	TRD90573R.....	93	TRD90939R.....	93
TRD90430R.....	101	TRD90574R.....	93	TRD90949R.....	91
TRD90431R.....	100	TRD90599R.....	91	TRD90964R.....	94
TRD90432R.....	100	TRD90600R.....	91	TRD90965R.....	94
TRD90433R.....	101	TRD90601R.....	91	TRD90966R.....	94
TRD90434R.....	101	TRD90602R.....	91	TRD90967R.....	94
TRD90435R.....	101	TRD90603R.....	91	TRD90968R.....	94
TRD90436R.....	101	TRD90604R.....	91	TRD90968R.....	94
TRD90453	27	TRD90605R.....	89	TRD90969R.....	94
TRD90460	32	TRD90606R.....	89	TRD90970R.....	94
TRD90473R.....	97	TRD90607R.....	89	TRD90971R.....	94
TRD90475	27	TRD90611R.....	90	TRD90972R.....	87
TRD90476	96	TRD90612R.....	90	TRD90972R.....	94
TRD90477	96	TRD90613R.....	90	TRD90973R.....	94
TRD90478	96	TRD90614R.....	90	TRD90974R.....	94
TRD90479	96	TRD90615R.....	90	TRD91097	106
TRD90481	104	TRD90616R.....	90	TRD91098	106
TRD90483	104	TRD90617R.....	89	TRI10111241B	109
TRD90485	104	TRD90618R.....	89	TRI10211241B	109
TRD90487	104	TRD90619R.....	89	TRI1021125	109
TRD90489	104	TRD90623R.....	103	TRI1200346	107
TRD90491	104	TRD90633R.....	95	TRI1201126	107
TRD90522R.....	101	TRD90634R.....	95	TRI1201186	107
TRD90523R.....	101	TRD90635R.....	95	TRI1440346	108
TRD90524R.....	101	TRD90636R.....	95	TRI1481006	109
		TRD90637R.....	95	TRI1481126	109
		TRD90638R.....	95	TRZ0830238	67

A**Accumulator tanks**

Albin.	58, 83
Shurflo.	58

Aerator pumps

Albin.	13
-------------	----

Alarms

Albin.	18, 19, 20
Connect It Boat	21
Tru-Design	32

Aquavalves - manual, electronic and fittings

Tru-design	27, 29, 30
----------------------	------------

B**Bilge pumps - automatic**

Albin.	9
Attwood	10

Bilge pumps - electric cartridge

Albin.	5, 6
Attwood	7
Shurflo.	8

Bilge pump - float switches

Albin.	14
Attwood	14
Shurflo.	14

Bilge pumps - heavy duty

Albin.	11
Attwood	12

Bilge pumps - manual

Albin.	3
AquaMarine	4
Attwood	4
Trem	4

Bilge pump - panels

Albin.	17
Attwood	17

Bilge pumps - portable electric

Attwood	14
Tru-Design	14

Boat monitoring

Albin.	18, 19, 20
Connect It Boat	21

C**Carbon filters**

Albin.	51
Tru-Design	51

Connectors

Albin.	86
AquaMarine - 'L'	88
AquaMarine - 'T'	88
AquaMarine - 'Y'	61, 88
AquaMarine - straight.	91
Tru-Design - 3 way	28,

Tru-Design - 'Y'	89
Tru-Design - 90°	89
Tru-Design - female threaded elbows	95
Tru-Design - male threaded hoesetails	92
Tru-Design - male threaded elbows	93
Tru-Design - straight.	91
Tru-Design - straight female threaded hoesetails	94
Tru-Design - thru bulkhead threaded tube	106
Tru-Design - T-piece.	105

D**Defrosters**

Albin.	79, 80, 81
-------------	------------

Diaphragm pump - waste water

Albin.	22, 23
-------------	--------

Digital bilge switch

Albin.	16
Attwood	16

E**Electronic switch**

Quick	17
-----------------	----

F**Flush pumps**

Albin.	48
-------------	----

Funnels.

	61
--	----

H**Hose**

Aqua-Marine - food hose	110, 111, 112
Aqua-Marine - sanitation	108
Aqua-Marine - suction and delivery	107
Aqua-Marine - superflat cassette hose	113
Hosecoil - washdown	113, 114, 115
Trident - bilge.	107, 108
Trident - sanitation	109

Hose clips

Mikalore	106
Aqua-Marine.	107

L**Load bearing collars**

Tru-Design	98, 99
----------------------	--------

M**Macerator - waste water**

Albin.	24, 25
-------------	--------

N**Non-return valves**

Albin.	86
AquaMarine	86
Tru-Design	87





R

Reducers
 AquaMarine 90
 Tru-Design 90

S

Seacock monitor
 Tru-Design 97

Shower kits 66, 67

Shower sump pumps
 Attwood 33

Sinks 67

Skin fittings
 Tru-Design - domed 100, 101
 Tru-Design - recessed 102
 Tru-Design - skin fitting nuts 104
 Tru-Design - tools 104

Solenoid Valve
 Albin 48

Strainers
 Albin - pump strainer 58, 83
 Shurflo - pump strainer 59
 Tru-Design - intake strainer 103

T

Tank level indicators
 Albin 31

Tank and water purification
 Clean Tabs 63, 64
 Elsan 62, 65
 Starbrite 63, 65

Taps 66

Toilets & Chemicals
 Albin - Manual 34, 35
 Albin - Electric 36, 37, 38, 39, 40, 41
 Albin - Spares 34, 35, 37, 38, 39, 40, 41
 Albin - Conversion kits 46
 Albin - Control panels 47
 Elsan 52, 53, 54
 Oxford toilet 54
 Starbrite 55

V

Valves
 Albin - 'Y'-valves 26
 Tru-Design - ball valve 86
 Tru-Design - ball valve spanners 86
 Tru-Design - monitored ball valve 87

Vented loops
 Albin 49
 Tru-Design 50

W

Wash down
 Albin - pumps 82
 Hosecoil - washdown systems 113, 114, 115
 Shurflo - pumps 83

Wash down fittings 84, 85

Water heaters and spares
 Albin 8, 69, 70, 71, 72, 73
 Quick 74, 75, 76, 77

Water pressure pumps
 Albin 56
 Shurflo 57

Water tanks and fittings
 AquaMarine aquaflo tanks 60
 AquaMarine fittings 61
 AquaMarine jerry cans 62

TERMS & CONDITIONS

1. CONTRACTS

- a. Contracts are made and orders accepted only upon and subject to these Terms and Conditions of Sale. All other conditions are hereby excluded unless expressly accepted in writing by Bainbridge International Ltd or Aqua-Marine International Ltd (hereinafter called the "Seller").
- b. In entering into a contract with the Seller, the contracting party (hereinafter called the "Buyer") acknowledges that the contract has not been induced by any representations orally or in writing made by the Seller, its servants or agents.
- c. Any quotation, estimate or tender previously given or made by the Seller was not an offer but an intimation of the terms upon which the Seller was prepared to negotiate. The offer to contract with the Buyer made by these conditions may be accepted by the Buyer in a formal manner or may be inferred from the Buyer's acceptance of performance, in whole or in part, by the Seller. Any conditions contained in any purported acceptance by the Buyer shall be disregarded and the acceptance shall be construed as an unqualified acceptance of these conditions.
- d. Any typographical, clerical or other error or omission in any sales literature, quotation, price list, acceptance of offer, invoice or other document or information issued by the Seller shall be subject to correction without any liability on the part of the Seller.

2. PRICES

- a. Unless expressly stated otherwise by the Sellers, all prices quoted are ex works and exclude the cost of packing. Any applicable value added tax or any other sales tax or excise duties paid or payable by the Seller shall be added to the price and shall be payable by the Buyer.
- b. The Seller may, at their sole absolute discretion, accept or reject any order placed by the Buyer. The Seller may change the price of goods for future invoiced goods to the Buyer without notice.
- c. In the event of the Buyer cancelling a part of the order in accordance with the provisions of Clause 12, the Seller reserves the right to revise the price or prices quoted for goods already delivered.
- d. The contract price is, unless specifically agreed upon in writing by the Seller, payable in Pound Sterling. The Seller reserves the right to review the contract price(s) in the event of devaluation of the Pound Sterling or substantial change in the value of Pound Sterling in the foreign exchange markets.

3. CONDITIONS AND WARRANTIES

- a. Seller shall not be liable for the normal manufacturing defects nor any customary variations from quantities or specifications. A variance of not more than 15% either way from the total specified weight, quantity or length shall be deemed compliance with this contract.
- b. Where samples of goods or a colour chart are provided, these are submitted only as indicative of the class, size or colour of goods quoted for and sales of goods shall not be by reference to any such samples or colour charts.
- c. Whilst all description and illustrations of the goods in (interalia) catalogues, brochures, web sites and price lists provided by the Seller have been carefully prepared, they are intended nevertheless for general guidance only and do not form part of any contract for sale of goods and no responsibility is accepted for any errors or omissions therein or for any loss or damage resulting from reliance on such descriptions and illustrations.
- d. When the Seller agrees to provide a specially designed plan, the Buyer agrees that he is obliged to check the accuracy and suitability of the plan and that the Seller shall not be liable for any omissions or inaccuracies in the measurements given. The copyright in the plan drawn up by the Seller is, and remains, their property and may not be reproduced in whole or in part without written consent.
- e. If the Buyer claims or detects a defect in the goods, the Buyer will seek prior approval and return those goods to the Seller or, if the goods are retained by the Buyer, indemnify and keep the Seller indemnified against all liability and claims which may arise out of or incidental to the defect.
- f. The Seller has undertaken no responsibility for learning about the end purpose or use for which the goods are to be used, and the Buyer shall undertake to conduct whatever tests or examinations are necessary to confirm that goods are suitable for such end use.
- g. Any textile products that may be sold hereunder are sold subject to any imperfections that are typically regarded as acceptable in the textile trade resulting from the weaving and finishing thereof, and Seller shall have no liability in connection with any such imperfections. Buyer warrants that all merchandise covered by this contract is purchased for resale as tangible personal property, or to be incorporated as a component or part of other tangible property to be produced for sale by manufacturing, assembling or processing.
- h. The Buyer shall not be entitled to accept part only of the goods.

4. DELIVERY BY THE SELLER

- a. Unless and except as otherwise expressly provided in writing by the Seller, delivery shall be ex works place of business.
- b. Any dates quoted for delivery of the goods are approximate only and the Seller shall not be liable for any delay in delivery of the goods howsoever caused. Time for delivery shall not be of the essence unless previously agreed by the Seller in writing.
- c. Where goods are offered for delivery to a site, the Seller's obligation is to deliver as near to the site as safe hard roads permit. The Buyer is to provide at its own expense the labour required for unloading and stacking.
- d. The Seller reserves the right to deliver goods by instalments and in such event each instalment shall be treated as a separate contract save that the delivery of further instalments may be withheld until goods contained in earlier instalments have been paid for in full.
- e. Where goods are held by the Seller awaiting delivery instructions, they may be subject to a storage charge. For account holding customers, payment for these goods must be made on or before the last day of the month following the month of the invoice; for non-account holding customers, payment must be made at the time of ordering.
- f. In the absence of shipping instructions, the issuing of an invoice shall constitute delivery to the Buyer.

5. COLLECTION BY THE BUYER

- a. Where goods are sold "ex-factory" the Buyer shall collect the goods at the Seller's premises within seven days of the Seller's notifying the buyers that the goods are ready for collection.

- b. If the Buyer fails to collect the goods within seven days of notification that they are ready for collection, then, without prejudice to any other right or remedy available to the Seller, the Seller may:
 - i. Store the goods until actual delivery and charge the Buyer for reasonable costs (including insurance) of storage; or
 - ii. Sell the goods at the best price readily obtainable (after deducting all reasonable storage and selling expenses) account to the Buyer for the excess over the price under the contract or charge the Buyer for any shortfall below the price.

6. DAMAGE, LOSS, SHORT DELIVERY

- a. On delivery, the Buyer shall examine the goods for defects and completeness. Thereafter no claim for damage in transit, for shortage in delivery, or for loss of goods will be entertained except, in the case of damage, a separate notice in writing is given to the Carriers or to the Seller within three days of the receipt of the goods, followed within 14 days of the date of advice of despatch by a complete claim in writing; or, in the case of loss of goods, a separate notice in writing and a claim is given to the Seller and Carriers within 14 days of the date of the Seller's advice of despatch to the Buyer. In all cases a signature "unexamined" shall be deemed to be an unconditional acceptance of the goods.
- b. The Seller shall not in any circumstances be liable, whether in contract or tort, to the Buyer for any indirect or consequential loss or damage (including without limitation, loss of profits, loss of contracts or damage to property) or for any claim against the Buyer by any third party.
- c. The Seller's liability for damage or non-delivery of goods duly notified in accordance with the above shall in any event be limited to replacement of the goods within a reasonable time (or, at the Seller's option, refunding the price thereof) whether the damage or non-delivery is due to the Seller's negligence or otherwise.

7. ROLL LENGTHS

- a. Where goods are sold as a measured length there may be a variation in length of plus or minus 2%. In the event of a claim the seller reserves the right to insist that the roll be returned for measuring before a settlement is agreed.

8. CREDIT AGREEMENTS

- a. Where the Sellers has granted the Buyer a credit facility, the price of goods and/or service shall be paid by the Buyer as per the payment terms specified ed on the invoice or, if the Seller shall so require under Clause (b) of this Clause 7, to be paid on demand without any period of notice.
- b. The Seller reserves the right to withdraw or vary credit facilities at any time to the Buyer without either giving any reason for doing so, or thereby incurring any liability to the Buyer.
- c. If the Buyer takes goods from the Seller in excess of the Buyer's credit limit, the Seller may require payment on delivery for such excess of goods.

9. TERMS OF PAYMENT

- a. Unless credit facilities have been granted to the Buyer or unless otherwise specifically provided in writing, the price for the goods shall be paid by the Buyer in cash on delivery and in default the Seller shall be entitled to withhold delivery until payment. In the case of non-cash sales, the Seller shall be entitled to charge and recover interest from the Buyer on the price of the goods calculated at whichever shall be the greater: the statutory interest payable under the Late Payment of Commercial Debts (Interest) Act 1998 or the rate of 4% per annum
- b. Unless otherwise expressly agreed upon in writing, no other discounts or commissions are to become due or allowable to the Buyer (any previous course of dealing between the parties notwithstanding).
- c. Where there is a term of contract that payment of any of the Seller's invoices is dependant upon the issues of the certificate of a third party, the due date for payment of the invoice is not later than 14 days after the issue of the relevant certificate.

10. LATE PAYMENT

- a. When payment of any of the Seller's invoices is overdue, the Seller may suspend their performance of the contracts to which the invoice relates and/or of any other contract then subsisting between the Seller and the Buyer.
- b. In the event of legal action being taken by the Seller against the Buyer for breach of payment obligations hereunder, the Buyer shall be responsible for all costs and disbursements incurred by the Seller on a full indemnity basis.

11. RISK AND LIABILITY

- a. b. c. Risk of damage to or loss of the goods shall pass to the Buyer at the time of delivery or, if the Buyer at the time of delivery of the goods, the time when the Seller has tendered delivery of the goods. For the purpose of this Clause 10, "delivery" shall mean the arrival of the goods at the place of delivery of the Buyer where delivery is by the Seller, or the safe loading of the goods into the Buyer's vehicles at the Seller's premises where delivery is through collection by the Buyer. In no event shall the Seller be liable for damages with respect to the sale or use of any product sold hereunder in any amount greater than the amount of the purchase price received by the Seller for that particular product. In addition, the Seller shall not be liable for any consequential, incidental, or special damages or costs or expenses in the event of any breach of warranty or in the event of any loss, damage injury or cost resulting from, or arising out of, or in respect of the goods being sold hereunder. When any goods are sold hereunder bear a particular label, trademark, or trade name, affixed at the request of the Buyer, it is the understanding of the parties that the Buyer warrants that he has the right to use said label trademark or trade name, and that he hereby agrees to indemnify and hold harmless the Seller against any loss, damage or claim by any person with respect thereto.
- d. The Buyer agrees to reimburse the Seller, and hold Seller harmless against liability for all expenses, including legal fees, incurred by the Seller that may arise in connection with Seller's enforcement of its rights under this contract.
- e. The Seller has undertaken no responsibility for learning about the end purpose for which the goods are to be used, and Buyer shall undertake to conduct whatever tests or examinations are necessary to confirm that goods are suitable for such end use.

12. RETENTION OF TITLE

- a. Notwithstanding delivery and the passing of risk in the goods or any other provision of these conditions, the property in the goods shall not pass to the Buyer until the Seller has received in cash (or cleared funds) payment in full of the price of the goods and all other goods agreed to

- b. be sold by the Seller to the Buyer for which payment is then due.
- b. Until such time as the property in the goods passes to the Buyer, the Buyer shall hold the goods as the Seller's fiduciary agent and bailee, and shall keep the goods separate from those of the Buyer and third parties and properly stored, protected and insured and identified as the Seller's property. Until that time the Buyer shall be entitled to resell or use the goods in the ordinary course of its business, but shall account to the Seller for the proceeds of the sale or otherwise of the goods, whether tangible or intangible, including insurance proceeds, and shall keep all such proceeds separate from any monies or property of the Buyer and third parties and, in the case of tangible proceeds, properly stored, protected and insured.
- c. Until such time as the property in the goods passes to the Buyer (and provided the goods are still in existence and have not been resold), the Seller shall be entitled at any time to require the Buyer to deliver up the goods to the Seller and, if the Buyer fails to do so forthwith, to enter upon any premises of the Buyer or any third party where the goods are stored and repossess the goods.
- d. The Buyer shall not be entitled to pledge or in any way charge by way of security for any indebtedness any of the goods which remain the property of the Seller, but if the Buyer does so, all monies owing by the Buyer to the Seller shall (without prejudice to any other right or remedy of the Seller) forthwith become due and payable.

13. CUSTOMER CANCELLATION OF ORDERS

Contracts and orders and parts thereof may be cancelled only by the Seller's written acceptance of such cancellation. Where the Seller accepts such cancellation, the Seller reserves the right to charge the Buyer with the amount of any losses or expenses directly or indirectly resulting from such cancellation. Where the Seller does not accept such cancellation, the Seller, reserves the right to recover the invoice price from the Buyer and to charge the Buyer with additional losses both direct and indirect resulting from such cancellation. In any case where the Seller were required to place a deposit with a manufacturer or supplier in respect of an order, the Seller may require the Buyer to reimburse such sum in the event of cancellation.

14. CUSTOMERS RETURNING GOODS

- a. The Seller will only accept goods being returned by customers if prior consent has been given by the seller. In the event of wishing to return goods customers must contact the seller to obtain a 'goods return note number' that must then be attached in an appropriate manner to the goods. The seller reserves the right to refuse to accept goods being returned by a buyer. In cases where the seller does agree to accept a return the seller reserves the right to charge a handling fee not exceeding 50% based on the invoice price of the goods.
- b. Excluding circumstances where goods are being returned for the reason of damage or are subject to warranty claim, goods being returned to the seller must arrive in a condition that allows them to be re-sold. In the event that returned goods are not in good condition the seller reserves the right to withdraw any agreement for credit with the buyer or to charge a handling fee.

15. CONSENTS

The obtaining of any necessary consents for the installation of the goods, whether from local or other authorities or for ensuring that the installation of the goods is in accordance with the provisions of any by-laws, regulations or statutes shall not be the responsibility of the Seller.

16. FORCE MAJEURE

The Seller shall not be liable to the Buyer or be deemed to be in breach of contract by reason of any delay in performing, or any failure to perform, any of the Seller's obligations in relation to the goods, if the delay or failure was due to any cause beyond the Seller's reasonable control. Without prejudice to the generality of the foregoing, the following shall be regarded as causes beyond the Seller's control:

- a. Act of God, explosion, flood, tempest, fire or accident;
- b. War or threat of war, sabotage, insurrection, civil disturbance or requisition;
- c. Acts, restrictions, regulations, by-laws, prohibitions or measures of any kind on the part of any governmental, parliamentary or local authority;
- d. Import or export regulations or embargoes;
- e. Strikes, lock-outs or other industrial actions or trade disputes (whether involving employees of the Seller's or of a third party);
- f. Difficulties in obtaining raw materials, labour, fuel, parts or machinery;
- g. Power failure or breakdown in machinery.

17. INSOLVENCY

The Seller shall have the right to terminate the contract forthwith where the Buyer becomes insolvent or bankrupt or makes arrangements with its creditors or suffers a receiver to be appointed or being a body corporate enters into liquidation (other than in connection with a reconstruction or amalgamation) in any of which cases the Seller shall have no further obligation hereunder and the price for all goods delivered and work done shall become immediately due and payable.

18. LAW APPLICABLE

These conditions shall be governed and construed in accordance with English law and all disputes arising in connection therewith shall be submitted to the jurisdiction of the English courts.

19. GENERAL

- a. No provision hereof shall be deemed waived and no breach or default excused unless such waiver or excuse is in writing signed by an authorised officer of the party making the writing.
- b. If any provision or part of a provision of this Agreement shall be, or found by any authority or court of competent jurisdiction to be, invalid or unenforceable, such invalidity or unenforceability shall not affect the other provisions or parts of such provisions of this Agreement, all of which shall remain in full force and effect.
- c. The headings in this document are inserted for convenience only and shall not constitute a part of or are referred to in its interpretation.

© Bainbridge International Limited 2014 Bainbridge® is a registered trademark of Bainbridge International Limited. Bainbridge Sail & Cover is a trademark of Bainbridge International Limited. Aqua-Marine is a trademark of Aqua-Marine International Limited Bainbridge International Ltd. 8 Flanders Park, Hedge End, Southampton, Hampshire, SO30 2FZ England
Tel: +44 (0)1489 776030 • Fax: +44 (0)1489 776035
Email: info@bainbridgeint.co.uk • www.bainbridgeint.com



Bainbridge

ALL SALES ENQUIRIES

Bainbridge International Ltd. 8 Flanders Park, Hedge End, Southampton, Hampshire SO30 2FZ UK

T: +44 (0) 1489 776000 **F:** +44 (0) 1489 776005 **E:** info@bainbridgeint.co.uk

W: www.bainbridgmarine.com



TRIDENT RUBBER, INC.



SHURflo
First in Fluid Innovation

attwood
genuine ingenuity

