

sailman

New Range



Headboards & Clewboards



A new generation
of Sailman -
from the original
hardware
manufacturer
- **Bainbridge**



BAINBRIDGE
SAIL&COVER



sailmanX

In 1992 the very first Sailman range of products was launched – developed from race proven success, Bainbridge developed an integrated sail handling system designed to work in harmony and bring efficient sail control to the cruising/racing yacht owner.

Today Bainbridge has innovated **Sailman X** - a holistic range. Each component performs individually as part of a varied sail hardware construction. The advantage in performance synergy is clearly evident when used as a complete integrated system.

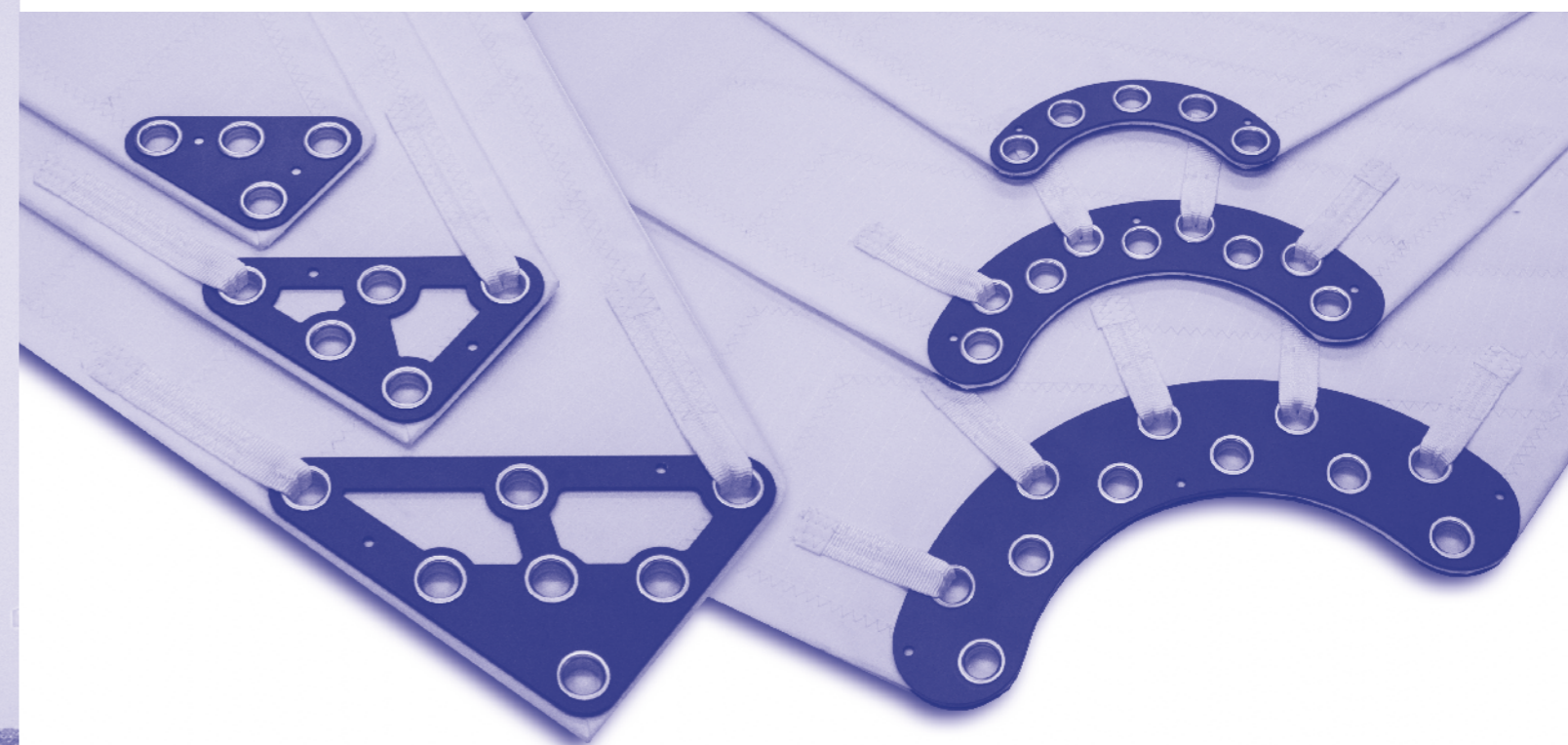
All of the new products in the **Sailman X** system have been developed using new thinking to give the utmost flexibility and choice to the Sailmaker - making them

easy to work with, and delivering long trouble free service to the boat owner.

Designed using Solidworks 3D modelling and printing, coupled with careful material selection and finishing - **Sailman X** balances performance, durability and ease of installation.

This can be particularly noted in the aesthetic appearance of products - incorporating full fillet finishing and careful, consistent hard anodising to create products that not only look good; they are smooth to the touch and to the cloth - which they have been designed to work with in harmony.

Following comprehensive research and development, the first products in this new generation are now ready. This extensive research programme ensures that the very latest generation of hardware products are worthy of carrying the name **Sailman X**.



Headboards & Clewboards



Headboards

A new technical design to accommodate the higher loading conditions of modern yachts and sails.

The use of stainless steel liners allows faster assembly, with small pilot holes to position accurately during installation.

Webbing can be applied for extra security and load holding through the liners. Can be used in three orientations with option to drill a hole for a slide bridge, allowing for any required sail offset.

- Smart design gives a strong headboard which is incredibly easy to fit
- Features heavy radius fillet on all edges - sail damage is substantially reduced
- Marine grade alloy - 5083 BS EN 573 3.2009 - highly resistant to sea water
- Designed to fit standard D039S/D039N liners
- The liners complete the assembly making these fast, simple and easy to fit
- Quick fitting thanks to pilot holes for temporary pins - no slipping, forcing or reworking
- No riveting required
- Hole layout allows for headboard to be used in a variety of orientations
- For larger sails headboards can be layered



Weight is for one plate without liners.
SWL given is for installed pair.
Customer colours available subject to minimum order quantities - please contact Bainbridge for details.

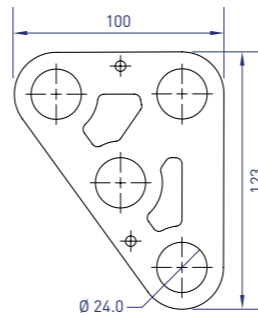


SMALL

- Aluminium with hard anodised finish
- Colour: Anthracite Grey

Length:	123mm	123mm
Width:	100mm	100mm
Weight:	32g	48g
Luff:	12m	14m
Area:	35m ²	48m ²
LOA:	30ft	35ft
SWL:	750kg	1,050kg

Plate Size:	2mm	3mm
5083 #:	HBA912GY	HBA913GY
Stainless Steel Kit #:	HBA912GYKITS	HBA913GYKITS
Nickel Kit #:	HBA912GYKITN	HBA913GYKITN

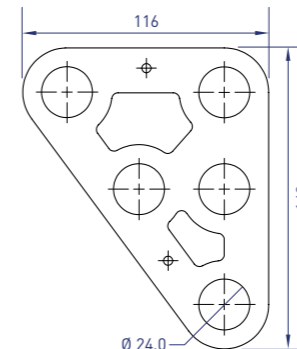


SMALL MEDIUM

- Aluminium with hard anodised finish
- Colour: Anthracite Grey

Length:	142mm	142mm
Width:	116mm	116mm
Weight:	41g	61g
Luff:	14m	16m
Area:	48m ²	62m ²
LOA:	35ft	40ft
SWL:	830kg	1,200kg

Plate Size:	2mm	3mm
5083 #:	HBA922GY	HBA923GY
Stainless Steel Kit #:	HBA922GYKITS	HBA923GYKITS
Nickel Kit #:	HBA922GYKITN	HBA923GYKITN

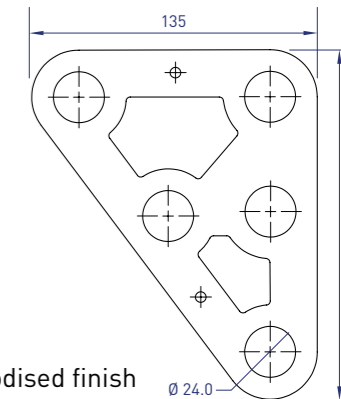


MEDIUM

- Aluminium with hard anodised finish
- Colour: Anthracite Grey

Length:	165mm	165mm
Width:	135mm	135mm
Weight:	54g	82g
Luff:	14m	17m
Area:	48m ²	71m ²
LOA:	42.5ft	50ft
SWL:	950kg	1,400kg

Plate Size:	2mm	3mm
5083 #:	HBA932GY	HBA933GY
Stainless Steel Kit #:	HBA932GYKITS	HBA933GYKITS
Nickel Kit #:	HBA932GYKITN	HBA933GYKITN

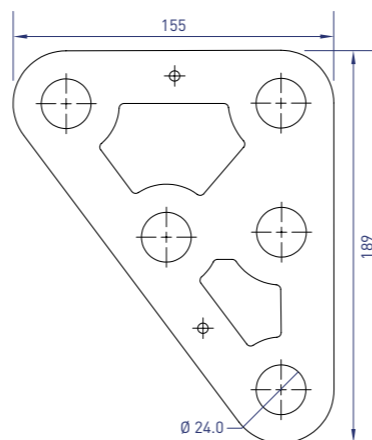


MEDIUM LARGE

- Aluminium with hard anodised finish
- Colour: Anthracite Grey

Length:	189mm	189mm
Width:	155mm	155mm
Weight:	114g	152g
Luff:	20m	23m
Area:	98m ²	129m ²
LOA:	50ft	56ft
SWL:	1,300kg	2,400kg

Plate Size:	3mm	4mm
5083 #:	HBA943GY	HBA944GY
Stainless Steel Kit #:	HBA943GYKITS	HBA944GYKITS

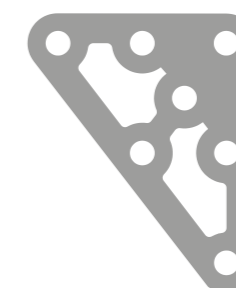
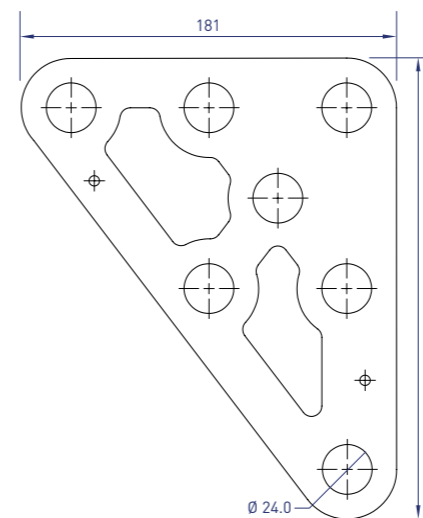


LARGE

- Aluminium with hard anodised finish
- Colour: Anthracite Grey

Length:	222mm	222mm
Width:	181mm	181mm
Weight:	150g	200g
Luff:	18m	21m
Area:	79m ²	108m ²
LOA:	45ft	52.5ft
SWL:	1,900kg	2,600kg

Plate Size:	3mm	4mm
5083 #:	HBA953GY	HBA954GY
Stainless Steel Kit #:	HBA953GYKITS	HBA954GYKITS

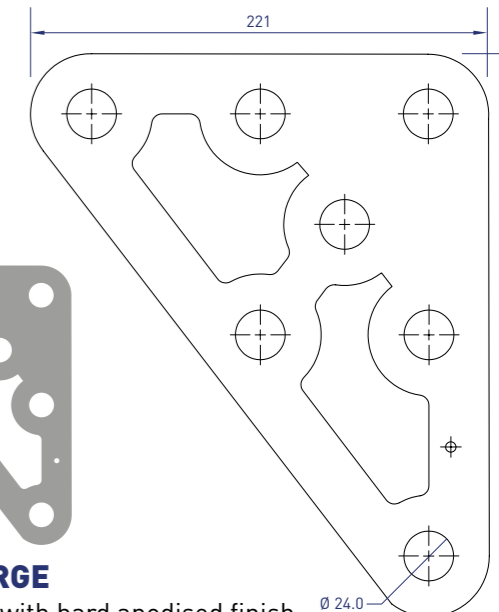


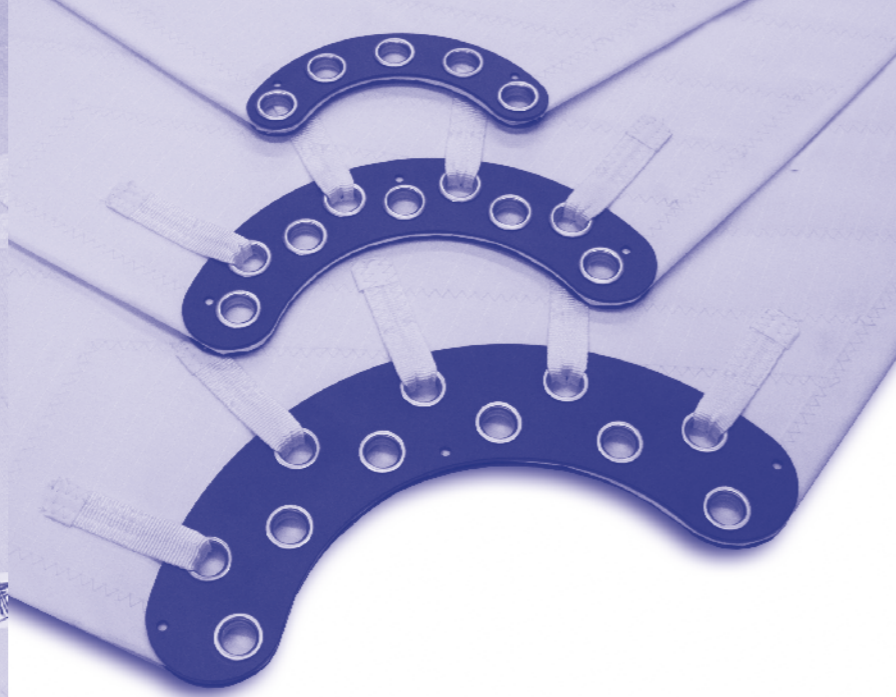
EXTRA LARGE

- Aluminium with hard anodised finish
- Colour: Anthracite Grey

Length:	271mm	271mm
Width:	221mm	221mm
Weight:	225g	300g
Luff:	22m	25m
Area:	118m ²	153m ²
LOA:	55ft	62.5ft
SWL:	2,450kg	3,200kg

Plate Size:	3mm	4mm
5083 #:	HBA963GY	HBA964GY
Stainless Steel Kit #:	HBA963GYKITS	HBA964GYKITS





Clewboards

These new Clewboards are strong and easy to fit and are suitable for a large range of yachts.

With the increasing popularity of self-tacking jibs they are able to cope with the increased loads created by modern yachts. Made in Marine grade Aluminium with a hard anodised finish, the use of stainless steel liners allows faster installation. Boards are available in various thicknesses to cover the high loading conditions of these sails.

- New 'Strong Arc' Shape – stronger and allows integrated fit and appearance to the sail
- Filleted external edges – on both face and back of plate
- Marine grade alloy – 5083 BS EN 573 3.2009 – highly resistant to sea water
- Designed to fit standard D039S/D039N liners
- The liners complete the assembly making these fast, simple and easy to fit
- Quick fitting thanks to pilot holes for temporary pins - no slipping, forcing or reworking
- No riveting required
- For larger sails clewboards can be layered



Weight is for one plate without liners. SWL given is for installed pair.
Customer colours available subject to minimum order quantities – please contact Bainbridge for details.

SMALL

- Aluminium with hard anodised finish
- Colour: Anthracite Grey

Length:	201mm	201mm
Width:	42mm	42mm
Weight:	40g	60g
Luff:	13m	15m
Area:	32m ²	38m ²
LOA:	30ft	37.5ft
SWL:	856kg	1,200kg
Plate Size:	2mm	3mm
5083 #:	CBA812GY	CBA813GY
S/Steel Kit #:	-	CBA813GYKITS
Nickel Kit #:	-	CBA813GYKITN

MEDIUM

- Aluminium with hard anodised finish
- Colour: Anthracite Grey

Length:	306mm	306mm
Width:	71mm	71mm
Weight:	140g	186g
Luff:	18m	23m
Area:	55m ²	89m ²
LOA:	45ft	56ft
SWL:	1,748kg	2,500kg
Plate Size:	3mm	4mm
5083 #:	CBA833GY	CBA834GY
Stainless Steel Kit #:	CBA833GYKITS	CBA834GYKITS
Nickel Kit #:	CBA833GYKITN	-

LARGE

- Aluminium with hard anodised finish
- Colour: Anthracite Grey

Length:	396mm	396mm
Width:	79mm	79mm
Weight:	247g	330g
Luff:	21m	25m
Area:	74m ²	105m ²
LOA:	52ft	62.5ft
SWL:	1,923kg	2,850kg
Plate Size:	3mm	4mm
5083 #:	CBA853GY	CBA854GY
Stainless Steel Kit #:	-	CBA854GYKITS

sailman

sailman



BAINBRIDGE
INTERNATIONAL

Bainbridge International Limited,
Unit 8, Flanders Park, Flanders Road,
Hedge End, Southampton, Hampshire, SO30 2FZ

T +44 (0)1489 776010

F +44 (0)1489 776015

E info@bainbridgeint.co.uk

www.bainbridgeint.com

Note: Bainbridge operates a policy of continual improvement and we reserve the right to change specifications without prior notice. In the case of this advance technical data we reserve the right to alter specifications following testing and or manufacturing improvements in the product. Performance data and weights should be used as a guide only.

